

SISTO-16RGA – without dead volume and with diaphragm SISTOMaXX



SISTO

SISTO-16RGA



Applications:

- Drinking water, particularly drinking water installations to DIN 1988
- Service water
- Water containing chlorine
- Seawater

More information:

www.ksb.com/products

Your contact:



SISTO-16TWA

SISTO-16RGA – without dead volume and with diaphragm SISTOMaXX

1 Optimised long-term operation

The position indicator with integrated stem protection prevents ingress of contamination

2 Smooth actuation

The thrust bearing minimises closing torques

3 High operating reliability

The stem and all internal operating elements are not in contact with the fluid

4 Reliable sealing to atmosphere and absolutely tight shut-off

The specially enclosed diaphragm provides absolutely tight shut-off as well as hermetic sealing to atmosphere and of all operating elements

5 Fluid purity

The valve's design without dead volumes ensures optimum conditions for high-purity fluids and prevents deposits

6 Quick identification of valve position

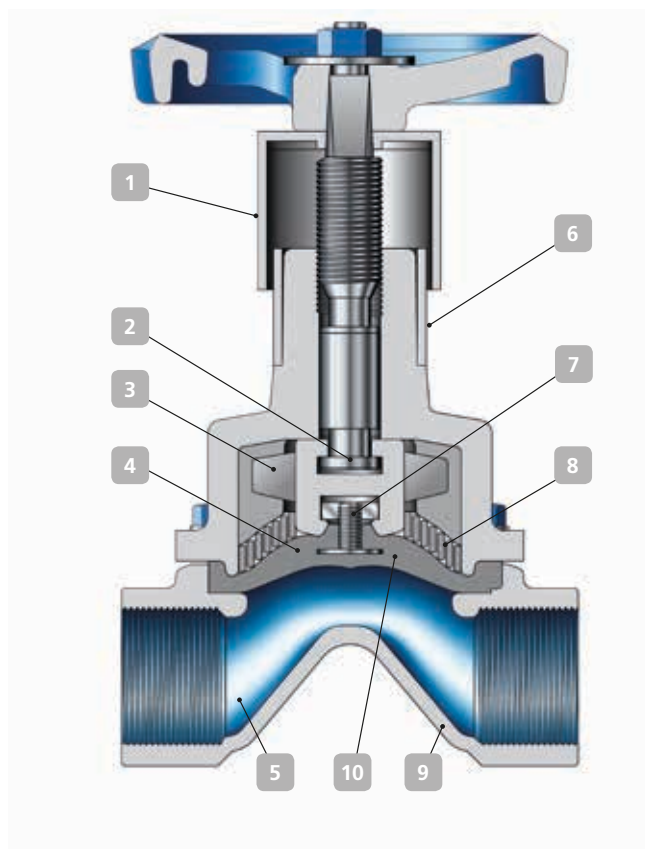
The valve's position can be easily identified via a clear visual indicator, also visible from a distance

7 High functional reliability

Increased functional reliability of the diaphragm thanks to balanced diaphragm suspension

8 Maximum service life and pressure limit

Maximised diaphragm life and pressure limit thanks to completely enclosed, spiral-supported diaphragm



9 Material suitable for drinking water

The valve body out of gunmetal perfectly meets the requirements for drinking water

10 Future proof – Fit for 2022

The diaphragm material SISTOMaXX conforms to the elastomer guideline

Materials

Body	Gun metal
Bonnet	Cast / Plastic
Diaphragm	SISTOMaXX (EPDM W270)
Handwheel	Cast / Plastic

Technical Data

Nominal diameter	15 – 80 (1/2" – 3")
Nominal pressure	Up to 16 bar
Temperature range	-10 °C to +90 °C



KSB SE & Co. KGaA
Johann-Klein-Straße 9
67227 Frankenthal (Germany)
www.ksb.com