

Level Control Valve

# CONDA-VLC

PN 16  
DN 25-300

## Type Series Booklet



## **Legal information/Copyright**

Type Series Booklet CONDA-VLC

All rights reserved. The contents provided herein must neither be distributed, copied, reproduced, edited or processed for any other purpose, nor otherwise transmitted, published or made available to a third party without the manufacturer's express written consent.

Subject to technical modification without prior notice.

© KSB SE & Co. KGaA, Frankenthal 24/02/2022

---

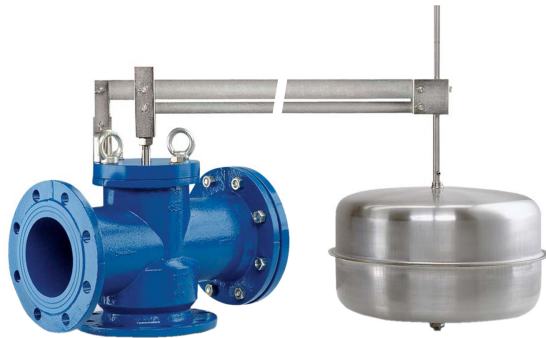
## Contents

<b>Control Valves / Measurement Valves .....</b>	<b>4</b>
Level Control Valves to DIN/EN .....	4
CONDA-VLC .....	4
Main applications.....	4
Fluids handled .....	4
Operating data.....	4
Body materials.....	4
Design details .....	4
Product benefits.....	4
Related documents .....	4
Purchase order specifications .....	4
Pressure/temperature ratings.....	5
Materials.....	5
Dimensions and weights.....	6

## Control Valves / Measurement Valves

### Level Control Valves to DIN/EN

## CONDA-VLC



- Replaceable seat made of stainless steel
- Valve disc, stem and float made of stainless steel
- Three-way body supplied with blind flange for use in angle pattern or straight-way pattern

#### Variants

- Viton sealing elements
- Anti-freeze kit
- Min./Max. level control

#### Product benefits

- Inlet-side pressure balancing
- New piston technology with self-cleaning system
- Three-way body supplied with blind flange for use in angle pattern or straight-way pattern
- The lever can be adjusted on the valve axis by simply rotating the rod through 45° or 90° as required.

#### Related documents

Table 3: Information/documents

Document	Reference number
Operating manual	V969011/1.10

#### Main applications

- Domestic water supply
- Water treatment systems
- Water supply systems

#### Fluids handled

- Grey water
- Drinking water

#### Operating data

Table 1: Operating properties

Characteristic	Value
Nominal pressure	PN 16
Nominal size	DN 25 - 300
Max. permissible pressure [bar]	16
Min. permissible temperature [°C]	≥ -10
Max. permissible temperature [°C]	≤ +70

Selection as per pressure/temperature ratings (⇒ Page 5)

#### Body materials

Table 2: Overview of available materials

Material	Material number	Temperature limit
EN-GJS-450-10	5.3107	+70 °C

#### Design details

##### Design

- Design to EN 12516
- Flanged ends (DN 40-300) or threaded ends (DN 25-32)
- Three-way float valve with balanced single seat

#### Purchase order specifications

Please specify the following information in all enquiries or purchase orders:

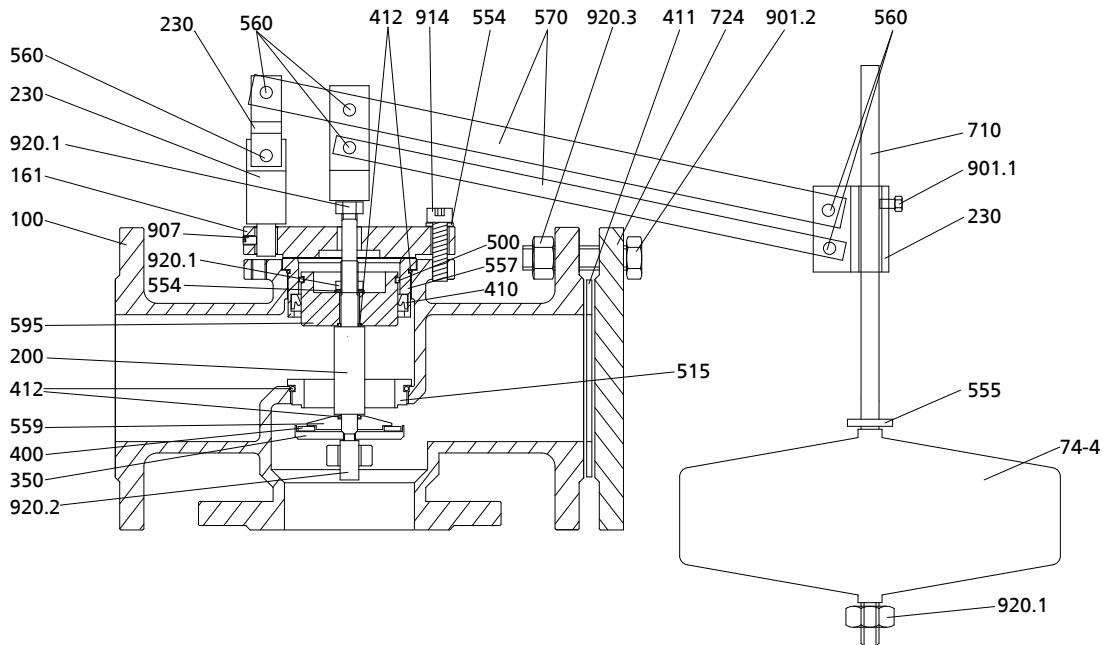
1. Type
2. Nominal pressure
3. Nominal size
4. Operating pressure
5. Operating temperature
6. Materials
7. Fluid handled
8. Pipe connection
9. Variants
10. Number of type series booklet

Pressure/temperature ratings

Table 4: Permissible operating pressures [bar] (to EN 12266-1)

PN	Material	[°C]					
		-10 to 120	150	200	250	300	350
16	EN-GJS-450-10	16,0	15,2	14,4	12,8	11,2	8,8

Materials



CONDA-VLC

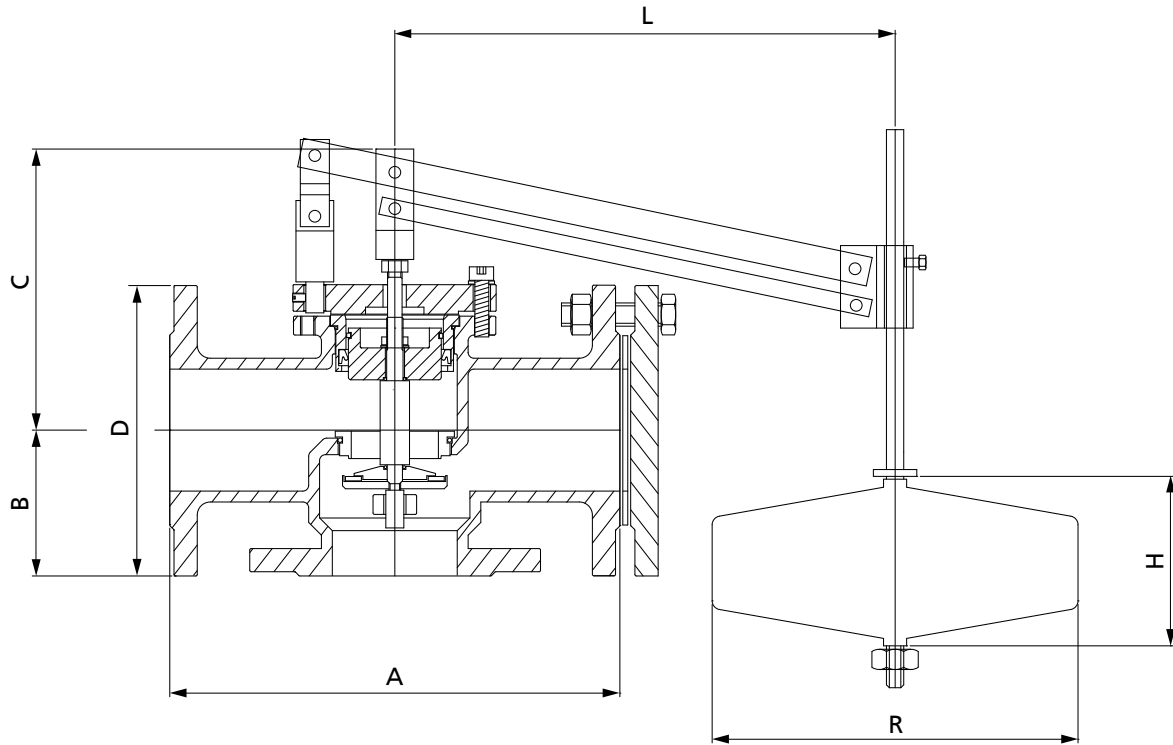
Table 5: Parts list

Part No.	Description	Material	Material number	Note
100	Body	EN-GJS-450-10	5.3107	-
161	Body bonnet	Steel	-	Epoxy-coated
200	Stem	Stainless steel	-	-
230	Joint	Steel	-	Galvanised
350	Valve disc	Stainless steel	-	-
400	Gasket	NBR	-	-
410	Profile seal	NBR	-	-
411	Joint ring	Rubber	-	-
412	O-ring	NBR	-	-
500	Ring	PTFE	-	-
515	Seat ring	Stainless steel	-	-
554	Washer	Stainless steel	-	-
555	Stop disc	Stainless steel	-	-
557	Guide ring	Bronze	-	-
559	Seal retainer	Stainless steel	-	-
560	Pin	Stainless steel	-	-
570	Lever	Lever	-	Galvanised
595	Piston	Stainless steel	-	-
710	Pipe	Stainless steel	-	-
724	Blind flange	Steel	-	Epoxy-coated
74-4	Float	Stainless steel	-	-
901.1	Bolt/screw	Stainless steel	-	-
901.2	Bolt/screw	Stainless steel	-	-
907	Centring screw	Stainless steel	-	-
914	Hexagon socket head cap screw	Stainless steel	-	-

9195.1/02-EN

Part No.	Description	Material	Material number	Note
920.1	Nut	Stainless steel	-	-
920.2	Nut	Stainless steel	-	-
920.3	Nut	Stainless steel	-	-

Dimensions and weights



CONDA-VLC

Table 6: Dimensions [mm] and weights [kg]

PN	DN	A	B	C	D	L	H	R	[kg]
16	40	230	82,5	173	165	600	220	220	21
	50	230	82,5	173	165	600	220	220	21
	65	290	92,5	193	185	600	220	220	26
	80	310	100,0	235	200	800	200	300	33
	100	350	125,0	233	220	800	180	400	41
	125	400	125,0	238	250	800	180	400	49
	150	480	162,0	371	285	1000	250	400	79
	200	600	183,0	420	340	1000	250	400	118
	250	730	270,0	540	405	1220	300	500	215
	300	850	300,0	610	460	1400	400	500	250

Mating dimensions as per standard

Face-to-face lengths: Manufacturer's standard

Flanges: DIN EN 1092-2





**KSB Italia S.p.A.**

Via Massimo D'Azeglio, 32  
20863 Concorezzo MB  
Tel. +39 039 6048-000 – Fax +39 039 6048-097  
[www.ksb.com](http://www.ksb.com)

**Centri Service**

Concorezzo MB • Via Massimo D'Azeglio, 32  
Tel. +39 039 6048-000 • Fax +39 039 6048-882  
Scorzè VE • Via Guido Rossa, 12/A  
Tel. +39 041 5840917 • Fax +39 041 5840918