

Swing Check Valve

SISTO-RSK/-RSKS

PN 16
DN 25-300

Type Series Booklet



Legal information/Copyright

Type Series Booklet SISTO-RSK/-RSKS

All rights reserved. The contents provided herein must neither be distributed, copied, reproduced, edited or processed for any other purpose, nor otherwise transmitted, published or made available to a third party without the manufacturer's express written consent.

Subject to technical modification without prior notice.

© SISTO Armaturen S.A., Echternach, Luxemburg 18/09/2020

Contents

Swing Check Valves	4
Swing Check Valves to DIN/EN	4
SISTO-RSK/-RSKS	4
Main applications.....	4
Fluids handled	4
Operating data.....	4
Valve body materials.....	5
Design details	5
Product benefits.....	5
Product information	5
Related documents	5
Purchase order specifications	5
Flow characteristics	6
Flow coefficients	6
Pressure/temperature ratings.....	6
Materials.....	7
Dimensions and weights.....	8
Installation instructions	8

Swing Check Valves

Swing Check Valves to DIN/EN

SISTO-RSK/-RSKS



Main applications

- Mining
- General irrigation systems
- Chemical industry
- Disposal
- Fire-fighting systems
- Domestic water supply
- Nuclear power stations
- Waste water treatment plants
- Fossil-fuelled power stations
- Seawater desalination
- Process engineering
- Water treatment
- Water supply systems

Fluids handled

- Abrasive fluids
- Waste water with/without faeces
- Aggressive fluids
- Inorganic fluids
- Brackish water
- Service water
- Solids-laden fluids
- River water, lake water and groundwater
- Fluids posing a health hazard
- Toxic fluids
- Highly aggressive fluids

- Condensate
- Corrosive fluids
- Valuable fluids
- Cooling water
- Fire-fighting water
- Solvents
- Seawater
- Fluids containing mineral oils
- Organic fluids
- Radioactive fluids
- Cleaning agents
- Grey water
- Brine
- Drinking water
- Wash water
- Other fluids on request.

Operating data

Operating properties

Characteristic	Value
Nominal pressure	PN 16
Nominal size	DN 25 - 300
Max. permissible pressure [bar]	1-16
Min. permissible temperature [°C] ¹⁾	≥ -20
Max. permissible temperature [°C] ¹⁾	≤ +140

¹⁾ The temperatures indicated are for orientation only; they are not valid for all operating conditions.

Valve body materials

Overview of available materials

Material	Material number	ASTM ²⁾	Temperature limit
EN-GJS-400-18-LT (GGG40.3)	5.3103	A536 Gr. 60-40-18	-20 °C to +140 °C

Design details

Design

- Marked in accordance with DIN EN 19 (ISO 5209)
- Internally mounted hinge pin
- Soft rubber encapsulated valve disc with slanted seat
- Soft-seated swing check valve in straight-way pattern with straight-line flow path

Variants

- Body and cover lined with IIR (butyl), temperature limit: +120 °C
- Body and cover lined with NRH (hard rubber), temperature limit: +100 °C
- Body and cover coated with ECTFE (Halar), temperature limit: +90 °C
- Model approved for drinking water:**
Body and cover coated with PA (Rilsan)³⁾, SISTOMaXX (EPDM/W270) encapsulated valve disc with EPDM/W270 joint ring, temperature limit: +60 °C
- IIR-encapsulated valve disc, temperature limit: +120 °C
- CSM-encapsulated valve disc, temperature limit: +100 °C
- EPDM-encapsulated valve disc, temperature limit: +140 °C
- NBR-encapsulated valve disc, temperature limit: +90 °C
- With flushing connection

Product benefits

- Streamlined body design provides low flow resistance coefficient.
- Short stabilisation distances
- Valve hydraulics without dead volume ensure optimum conditions for high-purity fluids.
- Static sealing to atmosphere
- Pre-loaded valve disc and short travel to closure prevent pressure surges.
- Maintenance-free
- Soft rubber encapsulated valve disc ensures reliable shut-off.

Product information

Product information as per Regulation No. 1907/2006 (REACH)

For information as per chemicals Regulation (EC) No. 1907/2006 (REACH), see <http://www.ksb.com/reach>.

Product information as per Pressure Equipment Directive 2014/68/EU (PED)

The valves satisfy the safety requirements of Annex I of the European Pressure Equipment Directive 2014/68/EU (PED) for fluids in Groups 1 and 2.

Product information as per Directive 2014/34/EU (ATEX)

Valves without electrical components do not have a potential internal source of ignition and can be used in potentially explosive atmospheres, Group II, category 1 (zones 0+20), category 2 (zones 1+21) and category 3 (zones 2+22) to ATEX 2014/34/EU. Components such as electric actuators, position switches, block terminals, solenoid valves, etc. may in certain circumstances be covered by Article 1 of Directive 2014/34/EU. They must be subjected to a conformity assessment procedure and separate evidence of compliance must be provided (e.g. EC Declaration of Conformity or manufacturer's declaration).

Related documents

Information/documents

Document	Reference number
Operating manual	0570.821

Purchase order specifications

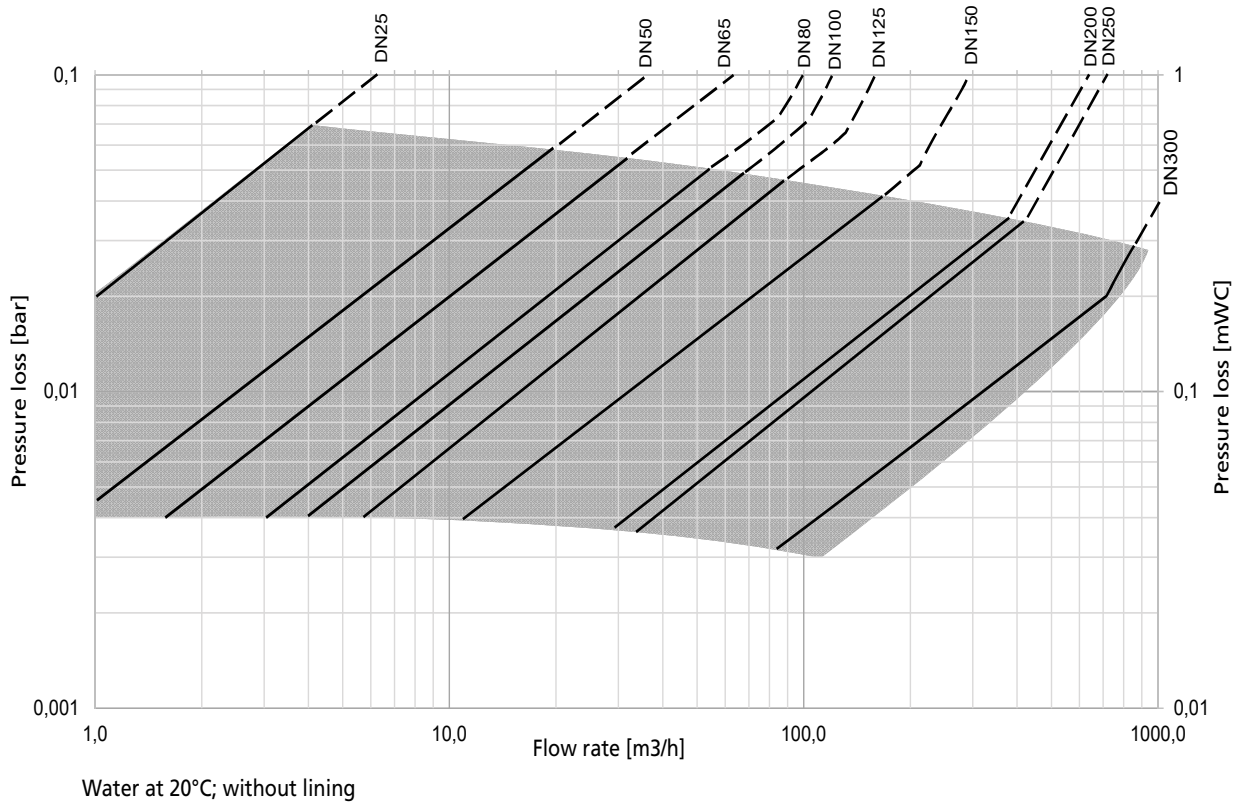
Please specify the following information in all enquiries or purchase orders:

- Type
- Nominal pressure
- Nominal size
- Operating pressure
- Differential pressure
- Operating temperature
- Fluid handled
- Pipe connection
- Variants
- Number of type series booklet
- Certificate

²⁾ ASTM materials similar to the materials indicated

³⁾ In compliance with KTW recommendations for the use of elastomers in drinking water issued by the German Environment Agency

Flow characteristics



Flow coefficients

Flow coefficients for unlined valves

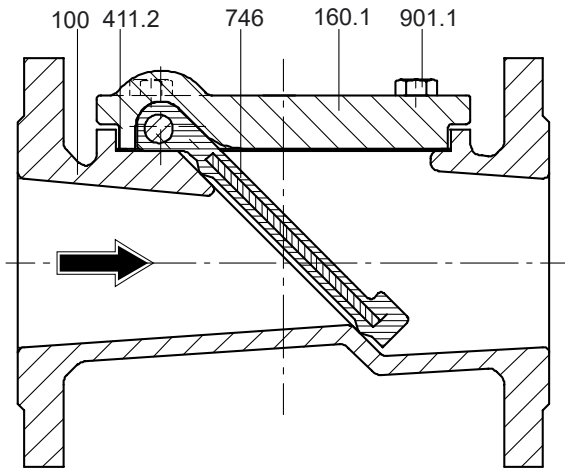
DN	Kvs value [m³/h]	
	RSK	RSKS
25	24,0	-
40	115,0	115,0
50	115,0	115,0
65	-	186,0
80	310,0	310,0
100	380,0	380,0
125	500,0	500,0
150	1010,0	1010,0
200	-	2000,0
250	-	2250,0
300	-	5000,0

Pressure/temperature ratings

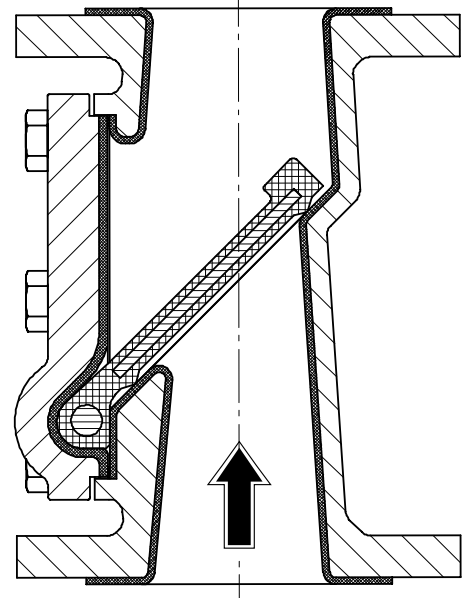
Permissible operating pressure [bar]

PN	Material	Material number	DN	[°C]		
				-20 to +100	+120	+140
16	EN-GJS-400-18-LT	5.3103	25-300	16	12	8

Materials



Horizontal installation position⁴⁾
(Shown: variant without lining)



Vertical installation position⁵⁾
(Shown: variant with lining)

Parts list

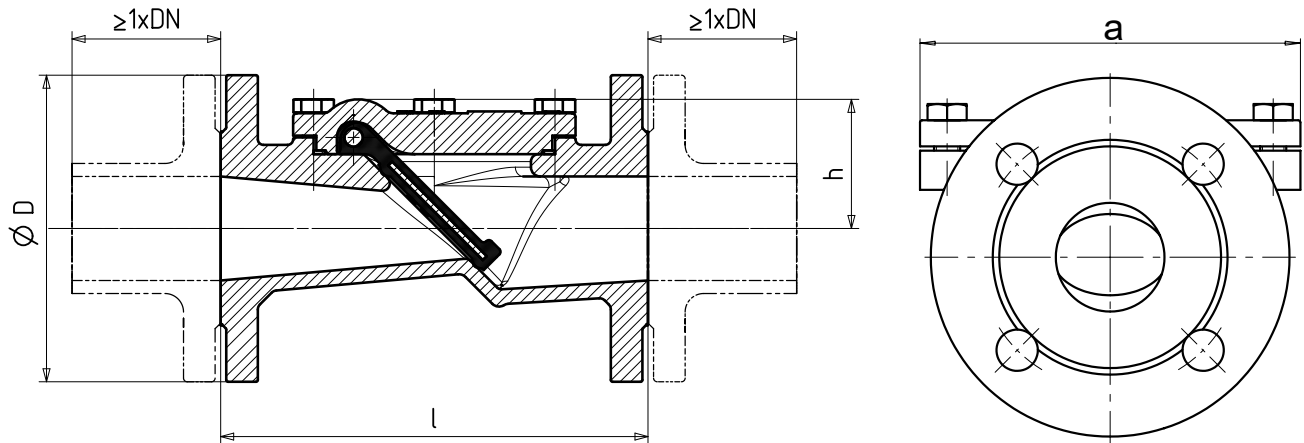
Part No.	Description	Material	Material number	Note
100	Body	EN-GJS-400-18-LT	5.3103	Standard
160.1	Cover	EN-GJS-400-18-LT	5.3103	Standard
411.2 ⁶⁾	Joint ring	EPDM	-	Standard
746 ⁶⁾	Valve disc	S355/IIR	-	Standard
901.1	Hexagon head bolt	A2-70	-	-

⁴ Recommended installation position

⁵ Vertical installation is only permitted if the fluid does not contain any solids.

⁶ Recommended spare parts

Dimensions and weights



SISTO-RSK/-RSKS
Front view / Sectional drawing
with upstream/downstream stabilisation distance

SISTO-RSK/-RSKS
Side view

Dimensions and weights

DN	l [mm]		a [mm]		h [mm]	ØD [mm]	[kg]	
	RSK	RSKS	RSK	RSKS			RSK	RSKS
25	160	-	84	-	43	115	4,2	-
40	200	180 ⁷⁾	164	164	78	150	12,8	12,9
50	230	200	175	164	78	165	12,8	13,1
65	-	240	-	164	78	185	-	14
80	310	260	224	232	100	200	25,9	23,9
100	350	300	224	232	100	220	28,2	27,4
125	400	350	290	290	130	250	50	45,7
150	480	400	290	290	130	285	55,5	61,5
200	-	500	-	390	190	340	-	108,7
250	-	600	-	390	190	405	-	138,9
300	-	700	-	550	260	460	-	285,8

Mating dimensions as per standard

RSK face-to-face length:	EN 558-1 R1
RSKS face-to-face length:	EN 558-1 R48
Flanges:	DIN EN 1092-2
Flange facing:	DIN EN 1092-2, type B

Installation instructions

Swing check valves can be installed horizontally and vertically. Installation in horizontal pipes is preferable (recommended installation positions: (⇒ Page 7)).

When installing them in vertical pipes, make sure that the flow direction is upward. Vertical installation is only permitted if the fluid does not contain any solids.

The flow direction must correspond to the cast-on flow direction arrow (see illustrations (⇒ Page 7)).

Recommended stabilisation distances upstream and downstream of the swing check valve $\geq 1 \times DN$ (see drawing above).

⁷ PN 10 only – flange thickness not in compliance with DIN EN 1092-2



SISTO Armaturen S.A.
18, rue Martin Maas • L-6468 Echternach
Tel.: +352 325085-1 • Fax: +352 328956
E-Mail: sisto@ksb.com
www.sisto.lu

A KSB Company • The KSB logo, consisting of the letters "KSB" in a bold, blue, sans-serif font, followed by a stylized blue square icon with a white dot inside.