

SISTO – Maintenance-free Diaphragm Valves with and without Lining



Applications:

- Industry, building services and power stations
- Chemical and process engineering
- Food and beverage industry
- Drinking water
- Service water
- Air
- Oil
- Technical gases
- Abrasive and aggressive fluids

More information:

www.ksb.com/products

SISTO

SISTO-20

Your contact:



SISTO-KB



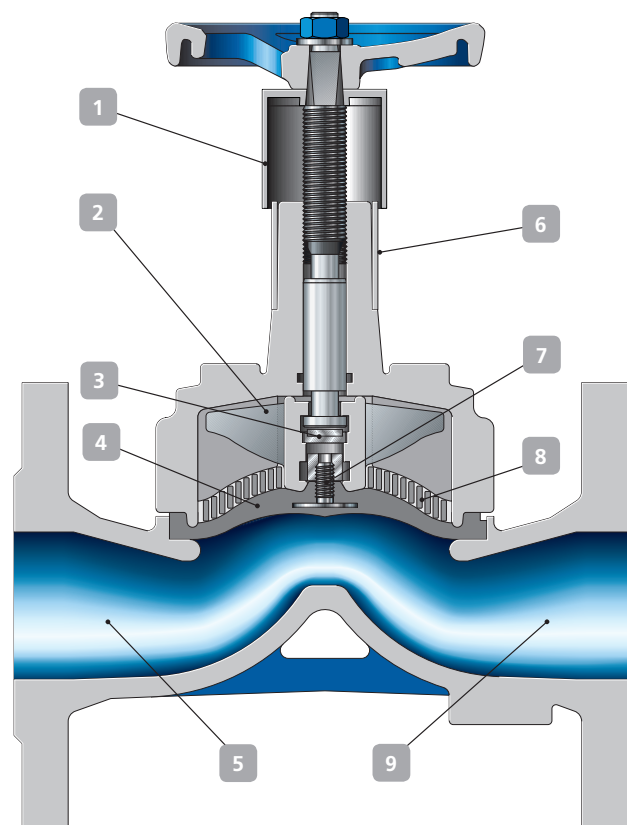
SISTO-10



SISTO-16

SISTO – Maintenance-free Diaphragm Valves with and without Lining

- 1 Optimised long-term operation**
The position indicator with integrated stem protection prevents ingress of contamination.
- 2 High operating reliability**
The stem and all internal operating elements are not in contact with the fluid.
- 3 Smooth actuation**
The thrust bearing minimises closing torques.
- 4 Reliable sealing to atmosphere and absolutely tight shut-off**
The specially enclosed diaphragm¹⁾ provides absolutely tight shut-off as well as hermetic sealing to atmosphere and of all operating elements.
- 5 Fluid purity**
The valve's design without dead volumes ensures optimum conditions for high-purity fluids and prevents deposits.
- 6 Quick identification of valve position**
The valve's position can be easily identified via a clear visual indicator, also visible from a distance.
- 7 High functional reliability**
Increased functional reliability of the diaphragm thanks to balanced diaphragm suspension



- 8 Maximum service life and pressure limit**
Maximised diaphragm life and pressure limit thanks to completely enclosed, spiral-supported diaphragm²⁾
- 9 High corrosion resistance**
High-quality linings offer reliability and a long service life.

Materials:

	SISTO-KB	SISTO-10	SISTO-16	SISTO-20
Body	Grey cast iron, nodular cast iron	Grey cast iron, nodular cast iron	Grey cast iron	Nodular cast iron, stainless steel
Lining	Hard rubber, butyl	Hard rubber, butyl	Hard rubber, butyl, PTFE	Hard rubber, butyl, PTFE
Coating	Rilsan, Halar	Halar	Rilsan, Halar	Rilsan, Halar
Bonnet	Grey cast iron, nodular cast iron	Grey cast iron, nodular cast iron	Grey cast iron	Nodular cast iron
Diaphragm ³⁾	EPDM, IIR, NBR, CSM	EPDM, IIR, CSM, NBR, TFM/EPDM	EPDM, IIR, CSM, NBR, TFM/EPDM	EPDM, IIR, CSM, NBR, TFM/EPDM
Handwheel	Cast iron, plastic	Cast iron, plastic	Cast iron, plastic	Cast iron, plastic

Technical data:

Nominal diameter	15-200	15-300	15-200	15-200
max. nom. pressure	10 bar	10 bar	16 bar	16 bar
Temperature range	-20 to +140 °C	-20 to +160 °C	-20 to +160 °C	-20 to +160 °C

¹⁾ only for SISTO-16/20 ²⁾ available for SISTO-10, SISTO-16, SISTO-20 ³⁾ other diaphragm materials on request



KSB Aktiengesellschaft
Johann-Klein-Straße 9
67227 Frankenthal (Germany)
www.ksb.com