

► Our technology. Your success.

Pumps · Valves · Service



## SISTO-16RGAMaXX without dead volume and with diaphragm SISTOMaXX



# SISTO

### Applications:

- ▣ Drinking water, particularly drinking water installations to DIN 1988
- ▣ Service water
- ▣ Water containing chlorine
- ▣ Seawater

### More information:

[www.ksb.com/products](http://www.ksb.com/products)

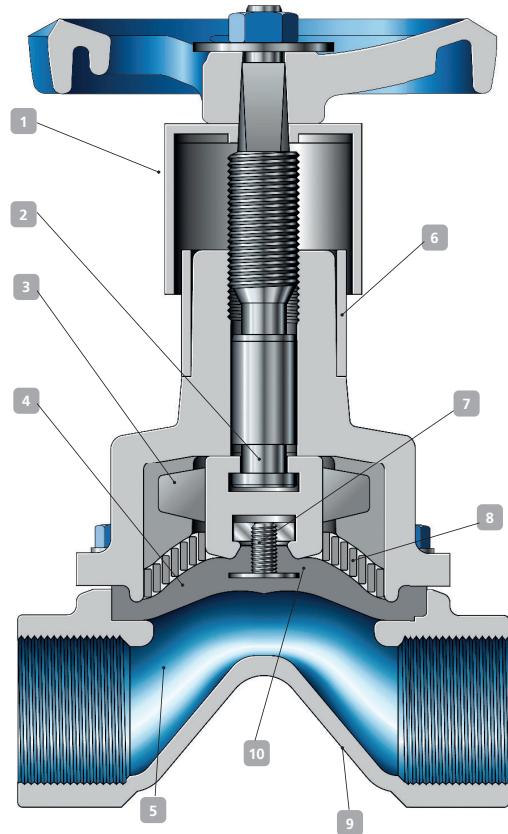
Your contact:




SISTO-16TWA

# SISTO-16RGAMaXX without dead volume, with stainless steel body and diaphragm SISTOMaXX

- 1 Optimised long-term operation**  
The position indicator with integrated stem protection prevents ingress of contamination
- 2 Smooth actuation**  
The thrust bearing minimises closing torques
- 3 High operating reliability**  
The stem and all internal operating elements are not in contact with the fluid
- 4 Reliable sealing to atmosphere and absolutely tight shut-off**  
The specially enclosed diaphragm provides absolutely tight shut-off as well as hermetic sealing to atmosphere and of all operating elements
- 5 Fluid purity**  
The valve's design without dead volumes ensures optimum conditions for high-purity fluids and prevents deposits
- 6 Quick identification of valve position**  
The valve's position can be easily identified via a clear visual indicator, also visible from a distance
- 7 High functional reliability**  
Increased functional reliability of the diaphragm thanks to balanced diaphragm suspension
- 8 Maximum service life and pressure limit**  
Maximised diaphragm life and pressure limit thanks to completely enclosed, spiral-supported diaphragm



- 9 Material suitable for drinking water**  
The valve body out of stainless steel perfectly meets the requirements for drinking water
- 10 Future proof – Fit for 2022**  
The diaphragm material SISTOMaXX conforms to the elastomer guideline

## Materials

Body	Stainless Steel 1.4409
Bonnet	Cast / Plastic
Diaphragm	SISTOMaXX (EPDM/W270)
Handwheel	Cast / Plastic

## Technical Data

Nominal diameter	15 – 80
Nominal pressure	up to 16 bar
Temperature range	-10 °C up to +90 °C



KSB SE & Co. KGaA  
Johann-Klein-Straße 9  
67227 Frankenthal (Deutschland)  
www.ksb.com