

Maintenance-free Diaphragm valves PN16 with and without lining



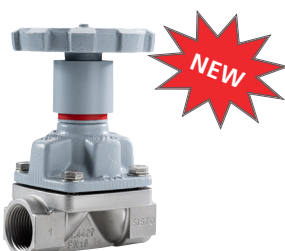
SISTO

Applications:

- Food and beverage industry
- Industry, building services and power stations
- Chemical and process engineering
- Service water
- Air
- Oil
- Technical gases
- Abrasive and aggressive fluids

More information:

www.ksb.com/products



SISTO-16/ -20 with thread ends

Your Contact:

Maintenance-free Diaphragm valves PN16 with and without lining

1 Optimised long-term operation

The stem protection integrated in the position indication prevents contamination from the outside

2 Reliable handling

The stem and all internal moving parts are outside the handled medium

3 Smooth operation

The thrust bearing reduces the closing torques

4 Perfect tightness to atmosphere and passage

The diaphragm provides hermetic sealing to the atmosphere, the passage and the moving parts

5 Medium contamination control

Dead zone free -> No contamination of the medium (Dead zone free body design ensures contamination control and prevents deposits)

6 Fast position control

Valve position by a clear indication - also easy to see from the distance

7 High functional reliability

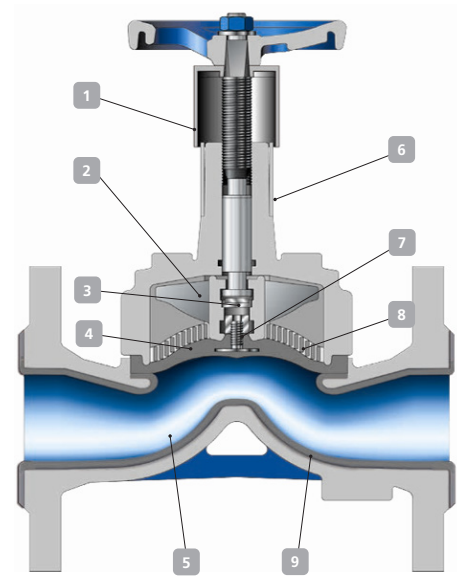
The balanced diaphragm suspension increases the functional reliability of the diaphragm

8 Highest life time and pressure limit

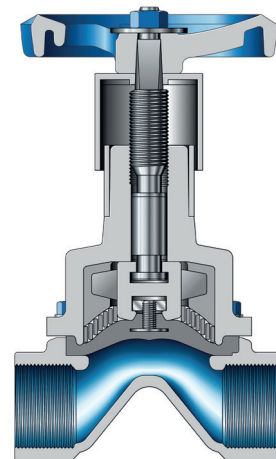
The enclosed and supported diaphragm maximises the service life and the pressure limit of the diaphragm

9 Highly corrosion – and abrasion resistance

High-quality coatings provide security and long-life cycle



SISTO-20



SISTO-16 with thread ends

Materials:	SISTO-16	SISTO-20	SISTO-16S
Body	Grey cast iron	Nodular cast iron, stainless steel	Nodular cast iron
Lining	Hard rubber, Butyl	Hard rubber, Butyl, PTFE	Hard rubber, Butyl, PTFE
Coating	Polyamid, ECTFE	Polyamid, ECTFE	Polyamid, ECTFE
Bonnet	Grey cast iron	Nodular cast iron	Nodular cast iron
Diaphragm	EPDM, IIR, CSM,NBR, FKM, TFM/EPDM	EPDM, IIR, CSM,NBR, FKM, TFM/EPDM	EPDM, IIR, CSM,NBR, FKM, TFM/EPDM
Connections	Flange, thread ends	Flange, Thread ends socket weld ends, butt weld ends	Flange

Technical data:

Dimensions	15-300	15-300	15-200
max. nom. pressure	16 bar	16 bar	16 bar
Temperature range	-10 up to +160 °C	-20 up to +160 °C	-20 up to +160 °C



KSB SE & Co. KGaA
Johann-Klein-Straße 9
67227 Frankenthal (Deutschland)
www.ksb.com