

Gate Valve

COBRA-SMP

PN 16
DN 40-300

Type Series Booklet



Legal information/Copyright

Type Series Booklet COBRA-SMP

All rights reserved. The contents provided herein must neither be distributed, copied, reproduced, edited or processed for any other purpose, nor otherwise transmitted, published or made available to a third party without the manufacturer's express written consent.

Subject to technical modification without prior notice.

© KSB SE & Co. KGaA, Frankenthal 31/01/2018

Contents

Gate Valves.....	4
Gate Valves to DIN/EN with Bolted Bonnet	4
COBRA-SMP	4
Main applications.....	4
Fluids handled	4
Operating data.....	4
Body materials.....	4
Design details	4
Product benefits.....	4
Related documents	4
Purchase order specifications	4
Pressure/temperature ratings.....	5
Materials.....	5
Dimensions and weights.....	7

Gate Valves

Gate Valves to DIN/EN with Bolted Bonnet

COBRA-SMP



Main applications

- Domestic water supply
- Air-conditioning systems
- Cooling circuits
- Hot-water heating systems
- Water treatment
- Water supply systems

Fluids handled

- Service water
- High-temperature hot water
- Heating water
- Cooling water
- Drinking water

Operating data

Operating properties

Characteristic	Value
Nominal pressure	PN 16
Nominal size	DN 40 - 300
Max. permissible pressure [bar]	16
Min. permissible temperature [°C]	≥ -10
Max. permissible temperature [°C]	≤ +110

Selection as per pressure/temperature ratings

Body materials

Overview of available materials

Material	Material number	Temperature limit
EN-GJS-500-7	5.3200	+110 °C

Design details

Design

- Design to UNI EN 1171
- Bolted bonnet
- Inside screw
- Non-rising handwheel
- Rotating stem
- Flexible wedge
- Two-piece self-aligning gland follower
- Tested to EN 12266-1
- Valve certified for drinking water applications to D.M. 174/2004

Variants

- Larger nominal sizes
- Electric actuators
- Gearboxes

Product benefits

- Two-piece self-aligning gland follower ensures even compression of packing rings.
- Stem nut made of nickel steel: corrosion-resistant in ammonia atmosphere
- Hard-faced back seat bush: additional stem seal when valve is fully open; blow-out protection
- Stem with burnished shank: long service life of the gland packing, improved fugitive emissions performance

Related documents

Information/documents

Document	Reference number
Operating manual	V989011/1.10

Purchase order specifications

Please specify the following information in all enquiries or purchase orders:

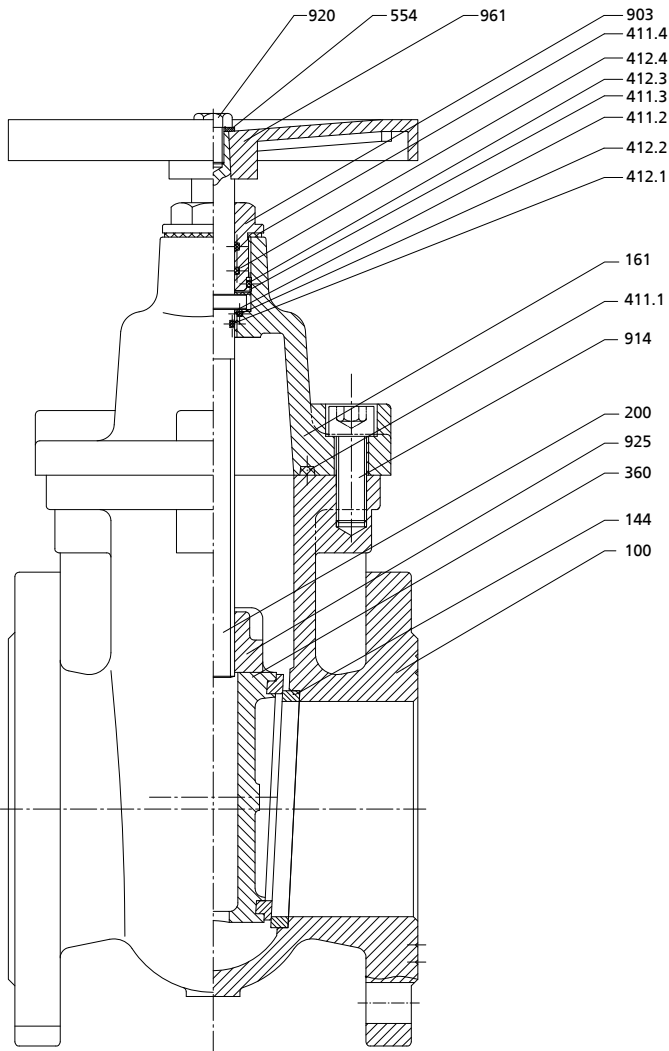
1. Type
2. Nominal pressure
3. Nominal size
4. Operating pressure
5. Operating temperature
6. Materials
7. Fluid handled
8. Pipe connection
9. Variants
10. Number of type series booklet

Pressure/temperature ratings

Permissible operating pressures [bar] (to EN 1092-2)

PN	Material	[°C]					
		-10 to 120	150	200	250	300	350
16	EN-GJS-500-7	16,0	15,2	14,4	12,8	11,2	8,8

Materials



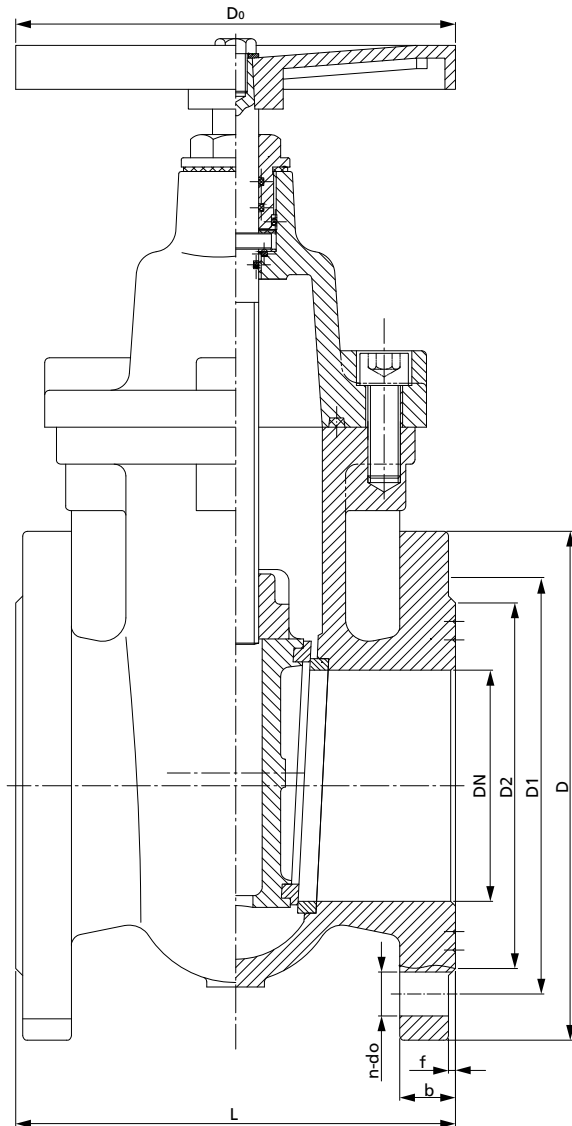
COBRA-SMP

Parts list

Part No.	Description	Material	Material number
100	Body	EN-GJS-500-7	5.3200
144	Seat	Stainless steel	-
360	Wedge	EN-GJS-500-7	5.3200
925	Stem nut	Cast brass	ZCuZn40Pb2
200	Stem	Stainless steel	2Cr13
914	Hexagon socket head cap screw	Steel	RSt37-2
411.1	Joint ring	Graphite	-
161	Body bonnet	EN-GJS-500-7	5.3200
412.1	O-ring	EPDM	-
412.2	O-ring	EPDM	-
411.2	Back seat	PTFE	-
411.3	Back seat	PTFE	-
412.3	O-ring	EPDM	-
412.4	O-ring	EPDM	-

Part No.	Description	Material	Material number
411.4	Joint ring	Graphite	-
903	Screw plug	EN-GJL-250	5.1301
961	Handwheel	EN-GJL-250	5.1301
554	Washer	Steel	RSt37-2
920	Hexagon nut	Steel	RSt37-2

Dimensions and weights



COBRA-SMP

Dimensions [mm] and weights [kg]

PN	DN	L	D ₀	D	D1	D2	b	f	n	d ₀	[kg]
16	50	150	160	165	125	102	20	3	4	19	13,9
	65	170	160	185	160	122	20	3	4	19	16,5
	80	180	160	200	160	135	22	3	8	19	21,4
	100	190	200	220	180	158	24	3	8	19	28,2
	125	200	250	250	210	188	26	3	8	19	38,3
	150	210	250	285	240	212	26	3	8	23	49,1
	200	230	250	340	295	268	26	3	8	23	76,1
	250	250	395	395	350	320	28	3	12	23	106,0
300	270	445	445	400	370	30	4	12	23	145,0	

Mating dimensions as per standard

Face-to-face lengths: EN 558-1/14

Flanges: DIN EN 1092-2



KSB SE & Co. KGaA
Johann-Klein-Straße 9 • 67227 Frankenthal (Germany)
Tel. +49 6233 86-0
www.ksb.com