

Lift Check Valve

## BOA-RPL/RPL F-F

### Type Series Booklet



## **Legal information/Copyright**

Type Series Booklet BOA-RPL/RPL F-F

All rights reserved. The contents provided herein must neither be distributed, copied, reproduced, edited or processed for any other purpose, nor otherwise transmitted, published or made available to a third party without the manufacturer's express written consent.

Subject to technical modification without prior notice.

© KSB SE & Co. KGaA, Frankenthal 26/07/2021

---

## Contents

<b>Check Valves and Strainers .....</b>	<b>4</b>
Lift Check Valves to DIN/EN .....	4
BOA-RPL/RPL F-F .....	4
Main applications.....	4
Fluids handled .....	4
Operating data.....	4
Valve body materials.....	4
Design details .....	4
Product benefits.....	4
Product information .....	4
Certifications .....	4
Related documents .....	4
Purchase order specifications .....	4
Pressure/temperature ratings.....	5
Materials.....	5
Dimensions and weights.....	7
Installation information.....	8

## Check Valves and Strainers

### Lift Check Valves to DIN/EN

## BOA-RPL/RPL F-F



#### Main applications

- General irrigation systems
- Domestic water supply
- Waste water treatment plants
- Air-conditioning systems
- Cooling circuits
- Water treatment
- Water supply systems
- Food industry / beverage industry

#### Fluids handled

- Cooling water
- Drinking water
- River water, lake water and groundwater
- Service water
- Waste water

#### Operating data

Table 1: Operating properties

Characteristic	Value
Nominal pressure	PN 10/16
Nominal size	DN 25 - 600
Max. permissible pressure [bar]	16
Max. permissible temperature [°C]	≤ +70

Selection as per pressure/temperature ratings (⇒ Page 5)

#### Valve body materials

Table 2: Overview of available materials

Material	Material number	Temperature limit
EN-GJS-400-15	EN-JS1030	≤ 70 °C

Other materials on request.

#### Design details

##### Design

- Ball check valve to EN 1074-3
- Tested to EN 12266-1
- Nodular cast iron (BOA-RPL)
- Threaded ends to BSPP ISO 228 (BOA-RPL F-F)
- Suitable for horizontal and vertical installation
- DN 50 to DN 300: PN 16 flanges

##### Variants

- Larger nominal sizes up to DN 600

##### Product benefits

- Approved for drinking water applications due to epoxy coating

#### Product information

##### Product information as per Regulation No. 1907/2006 (REACH)

For information as per chemicals Regulation (EC) No. 1907/2006 (REACH), see <https://www.ksb.com/ksb-en/About-KSB/Corporate-responsibility/reach/>.

##### Certifications

- Valve certified for drinking water applications to D.M. 174/2004

##### Related documents

- Operating manual V 979011/1.10

##### Purchase order specifications

Please specify the following information in all enquiries or purchase orders:

1. Type
2. Nominal pressure
3. Nominal size
4. Operating pressure
5. Operating temperature
6. Materials
7. Fluid handled
8. Pipe connection
9. Variants
10. Number of type series booklet

**Pressure/temperature ratings**

Table 3: Permissible operating pressure [bar]<sup>1)</sup>

PN	DN	[°C]
		Up to +70
16	25 - 300	16,0

**Materials**

**Materials of BOA-RPL**

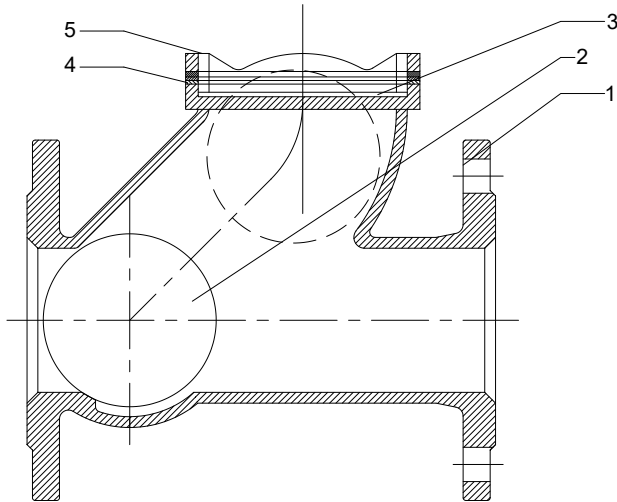


Fig. 1: Sectional drawing of BOA-RPL with part numbers

Table 4: Overview of available materials

Part No.	Description	Material	Material number	Comment
1	Body	EN-GJS-400-15	EN-JS1030	Epoxy-coated
2	Ball	Aluminium		NBR-coated
3	Cover	EN-GJS-400-15	EN-JS1030	
4	Cover gasket	NBR		
5	Screw/bolt	SS304		

<sup>1</sup> Static load

Materials of BOA-RPL F-F

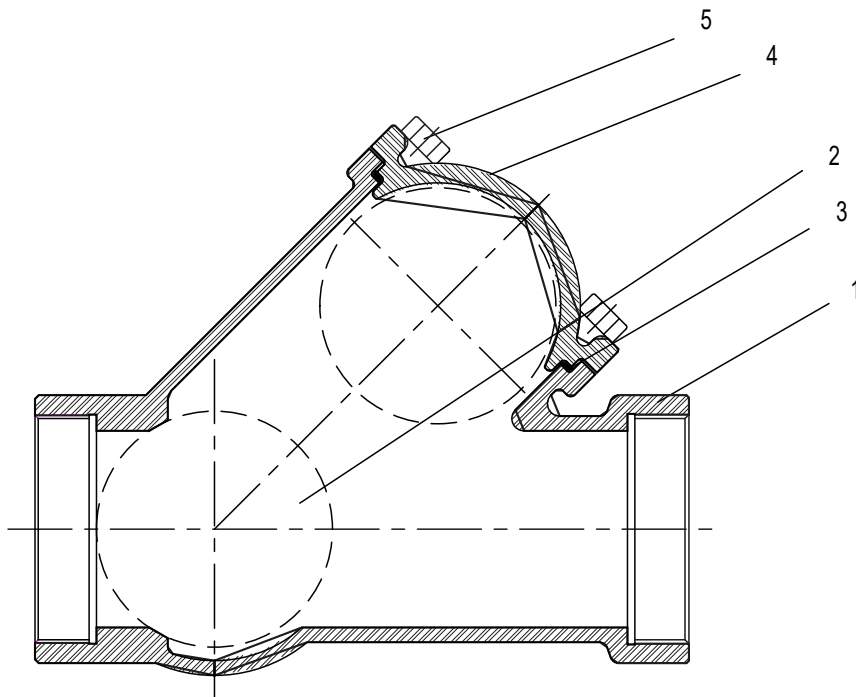


Fig. 2: Sectional drawing of BOA-RPL F-F with part numbers

Table 5: Overview of available materials

Part No.	Description	Material	Material number	Comment
1	Body	EN-GJS-400-15	EN-JS1030	Epoxy-coated
2	Ball	Aluminium		NBR-coated
3	Cover gasket	NBR		
4	Cover	EN-GJS-400-15	EN-JS1030	Epoxy-coated
5	Screw/bolt	SS304		

Dimensions and weights

Dimensions and weights of BOA-RPL

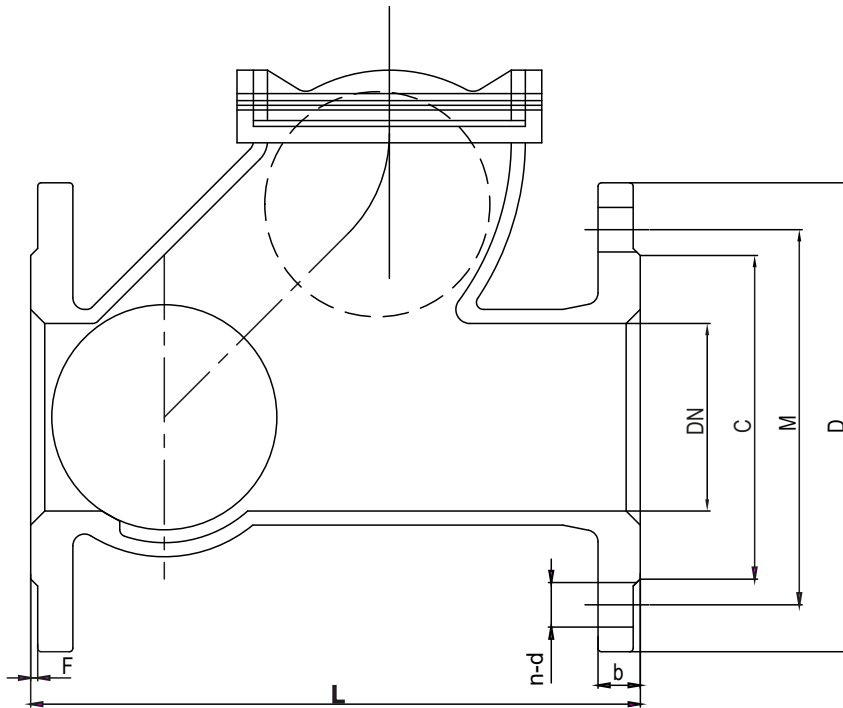


Fig. 3: Sectional drawing of BOA-RPL

Table 6: Dimensions and weights

PN	DN	b [mm]	C [mm]	D [mm]	f [mm]	H [mm]	L [mm]	M [mm]	n-d [mm]	[kg]
16	50	19	99	165	3	108	200	125	4-19	7,5
	65	19	118	185	3	132	240	145	4-19	11,8
	80	19	132	200	3	151	260	160	8-19	14,5
	100	19	156	220	3	198	300	180	8-19	19,8
	125	19	184	250	3	210	350	210	8-19	28,5
	150	19	211	285	3	270	400	240	8-23	39,5
	200	20	266	340	3	368	500	295	12-23	75
	250	22	319	405	3	471	600	355	12-28	160
	300	24,5	370	460	4	531	700	410	12-28	237
10	80	19	132	200	3	151	260	160	4-19	14,5

Mating dimensions – Standards

Face-to-face lengths: EN 558-1/48

Flanges: DIN EN 1092-2

Dimensions and weights of BOA-RPL F-F

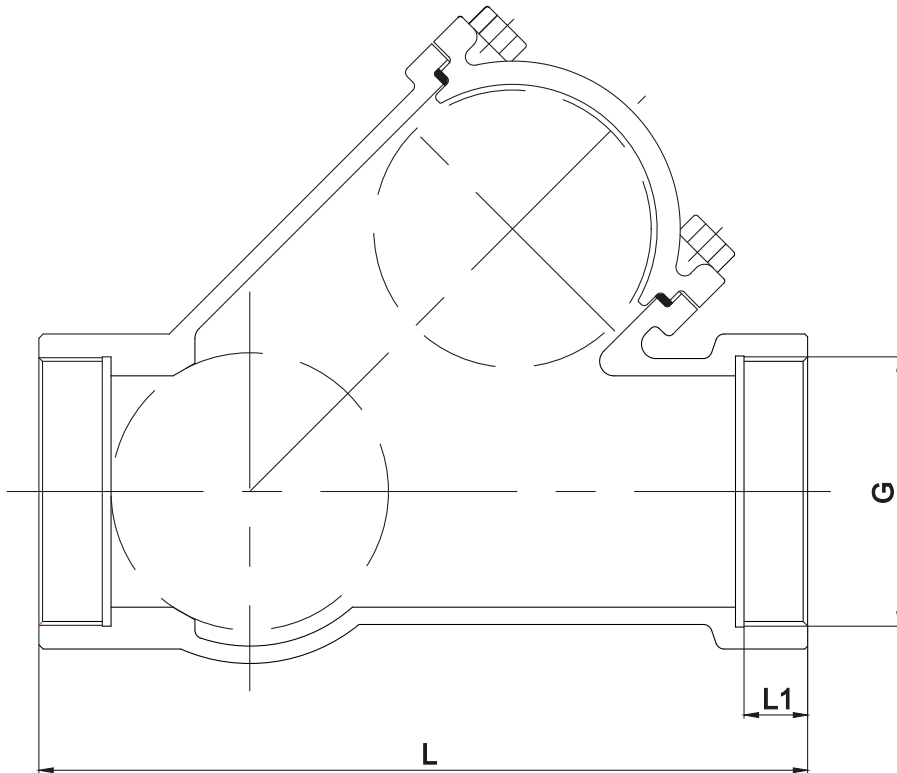


Fig. 4: Sectional drawing

Table 7: Dimensions and weights

PN	DN	G	L	L1	[kg]
		[inch]	[mm]	[mm]	
16	25	1	140	19,1	1,2
	32	1	140	21,4	1,4
	40	1	145	21,4	1,9
	50	2	170	25,7	3

**Mating dimensions as per standard**

Face-to-face lengths: See table

Threaded sockets: BSPP ISO 228

**Installation information**

The valves can be installed in a horizontal, vertical or angled position.







**KSB Italia S.p.A.**

Via Massimo D'Azeglio, 32  
20863 Concorezzo MB  
Tel. +39 039 6048-000 – Fax +39 039 6048-097  
[www.ksb.com](http://www.ksb.com)

**Centri Service**

Concorezzo MB • Via Massimo D'Azeglio, 32  
Tel. +39 039 6048-000 • Fax +39 039 6048-882  
Scorzè VE • Via Guido Rossa, 12/A  
Tel. +39 041 5840917 • Fax +39 041 5840918