

Lift Check Valve

## **BOA-RPL/RPL F-F**

PN 10/16  
DN 25-400  
Flanged or Threaded Ends

### **Type Series Booklet**



## **Legal information/Copyright**

Type Series Booklet BOA-RPL/RPL F-F

All rights reserved. The contents provided herein must neither be distributed, copied, reproduced, edited or processed for any other purpose, nor otherwise transmitted, published or made available to a third party without the manufacturer's express written consent.

Subject to technical modification without prior notice.

© KSB SE & Co. KGaA, Frankenthal 18/01/2018

## Check Valves and Strainers

### Lift check valves

## BOA-RPL/RPL F-F



#### Main applications

- General irrigation systems
- Domestic water supply
- Sewage treatment plants
- Air-conditioning systems
- Cooling circuits
- Water treatment
- Water supply systems
- Food and beverages industry

#### Fluids handled

- Cooling water
- Drinking water
- River, lake and groundwater
- Service water
- Waste water

#### Operating data

Operating properties

Characteristic	Value
Nominal pressure	PN 10/16
Nominal size	DN 25-400
Max. permissible pressure	16 bar (DN 25 - 200) 10 bar (DN 250 - 400)
Max. permissible temperature	70 °C

Selection as per pressure/temperature ratings (⇒ Page 4)

#### Body materials

Overview of available materials

Material	Material number	Temperature limit
BOA-RPL F-F		
EN-GJL-250	EN-JL1040	+70 °C
BOA-RPL		
EN-GJS-400-15	EN-JS1030	+70 °C

#### Design details

##### Design

- Ball check valve to EN 1074-3
- Tested to EN 12266-1
- BOA-RPL made of nodular cast iron
- BOA-RPL F-F with threaded ends to ISO 7/1
- Bolted cover
- Drain plug
- Unblocking device
- Valve certified for drinking water applications to D.M. 174/2004
- DN 50 to DN 150: PN 10/16 flanges
- DN 200: PN 16 flanges
- DN 250 to DN 400: PN 10 flanges
- Suitable for horizontal and vertical installation

##### Variants

- Other material variants
- Larger nominal sizes

##### Product benefits

- Valve easy to inspect and drain via standard drain plug.
- Unblocking device as standard, no special tools required for unblocking the ball.
- Approved for drinking water applications due to epoxy coating

##### Related documents

- Operating manual V 979011/1.10

##### On all enquiries / orders please specify

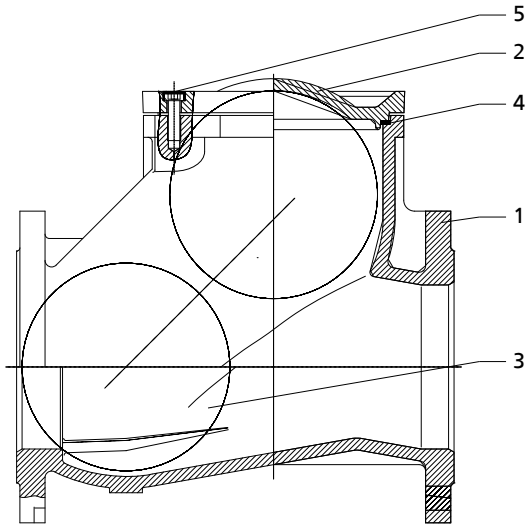
1. Type
2. Nominal pressure
3. Nominal size
4. Variants
5. Number of type series booklet

### Pressure/temperature ratings

Permissible operating pressures in bar at temperatures in °C

Nominal pressure	Nominal size	Permissible operating pressures <sup>1)</sup>
PN	DN	Up to +70 °C
10	50-400	10,0
16	25-200	16,0

### Materials



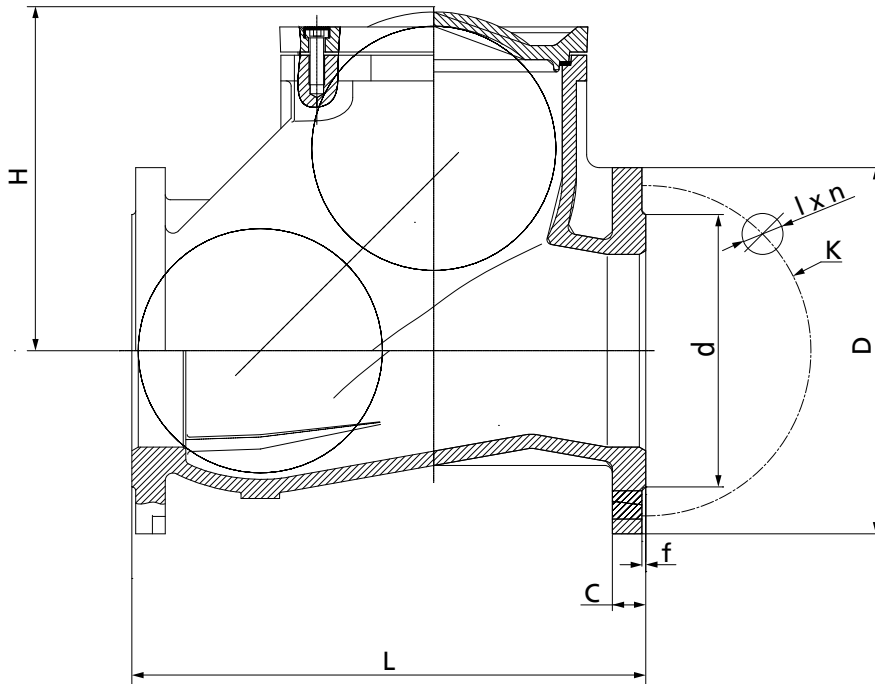
### Overview of available materials

Part No.	Description	Material	Material number	Note
1	Body	EN-GJL-250	EN-JL1040	Epoxy-coated
		EN-GJS-400-15	EN-JS1030	Epoxy-coated
2	Cover	EN-GJL-250	EN-JL1040	
		EN-GJS-400-15	EN-JS1030	
3	Ball	Aluminium		NBR-coated
4	Cover gasket	NBR		
5	Screw	Galvanised steel	Fe/Zn5	

1) Static load

## Dimensions

### Dimensions of BOA-RPL



Dimensions in mm

PN	DN	L	H	d	D	K	l	n	C	f	[kg]
10/16	50	200	113	102	165	125	18	4	20	3	8,3
	65	240	126	122	185	145	18	4	20	3	12,3
	80	260	162	138	200	160	18	8	22	3	16,8
	100	300	194	158	220	180	18	8	24	3	23,1
	125	350	214	188	250	210	18	8	22	3	37,2
	150	400	260	212	285	240	22	8	26	3	53,1
16	200	500	320	268	340	295	22	12	22	3	98,8
10	250	600	365	320	405	350	22	12	30	3	135,7
	300	700	427	378	460	400	22	12	30	4	220,0
	350	800	427	429	520	460	23	16	32	4	260
	400	900	537	480	580	515	28	16	32	4	410

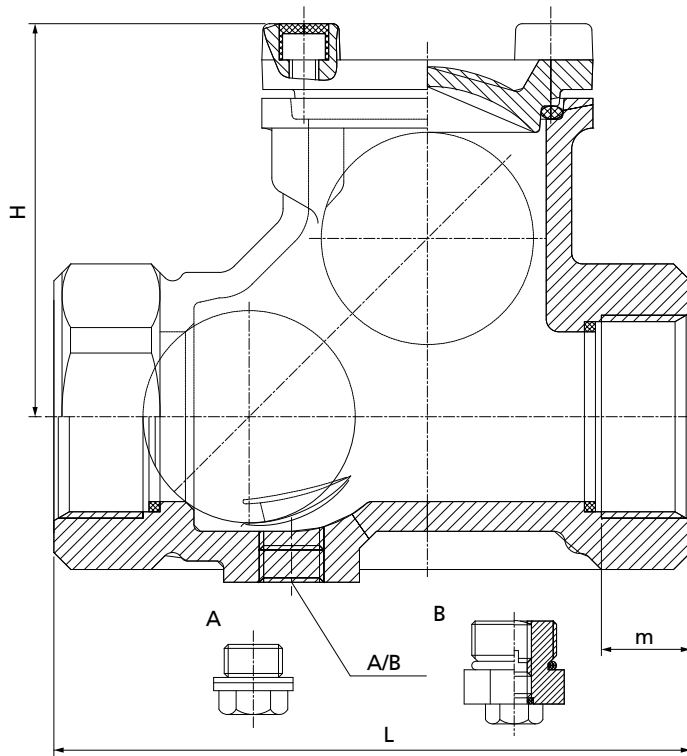
### Mating dimensions - Standards

Face-to-face EN 558-1/48

lengths:

Flanges: DIN EN 1092-2

Dimensions of BOA-RPL F-F



Dimensions in mm

PN	DN	L	m	H	[kg]
16	25	120	18	75	1,8
	32	140	18	75	2,3
	40	150	20	89	3,1
	50	220	35	113	4,6

**Mating dimensions - Standards**

Face-to-face lengths: see table  
Threaded ends: ISO 7/1

**Notes on installation**

Suitable for horizontal and vertical installation





**KSB Italia S.p.A.**

Via Massimo D'Azeglio, 32  
20863 Concorezzo MB  
Tel. +39 039 6048-000 – Fax +39 039 6048-097  
[www.ksb.com](http://www.ksb.com)

**Centri Service**

Concorezzo MB • Via Massimo D'Azeglio, 32  
Tel. +39 039 6048-000 • Fax +39 039 6048-882  
Scorzè VE • Via Guido Rossa, 12/A  
Tel. +39 041 5840917 • Fax +39 041 5840918