

TOP VALUES – SIMPLE FACTS:  
NORI<sup>®</sup> 500, NORI<sup>®</sup> 320 & NORI<sup>®</sup> 160



# Built on experience – designed for the future: NORI<sup>®</sup> 500, NORI<sup>®</sup> 320 and NORI<sup>®</sup> 160

## NORI<sup>®</sup> 160

THREADED BUSH FREE FROM NONFERROUS METAL, SUPPORTED BY NEEDLE BEARINGS

**Your benefit:**

- Smooth actuation

DIN ISO FLANGE

**Your benefit:**

- Simple and cost-efficient installation of actuators without having to dismantle the pressure-retaining components
- No conversion required

YOKE BUSH FREE FROM NONFERROUS METAL, WITH TRAPEZOID THREAD (NITRIDED)

**Your benefit:**

- High functional reliability

PURE-GRAPHITE GLAND PACKING

**Your benefit:**

- Increased leak tightness
- Easy to service
- Reliable sealing to atmosphere

TORQUE-FREE BACK SEAT

**Your benefit:**

- Back-up stem seal for emergency operation
- Anti-blow out device to protect staff and plant

INTERNALLY AND EXTERNALLY CONFINED SERRATED BONNET SEAL

**Your benefit:**

- Reliable sealing to atmosphere

VALVE SEAT MADE OF WEAR AND CORROSION RESISTANT MATERIALS

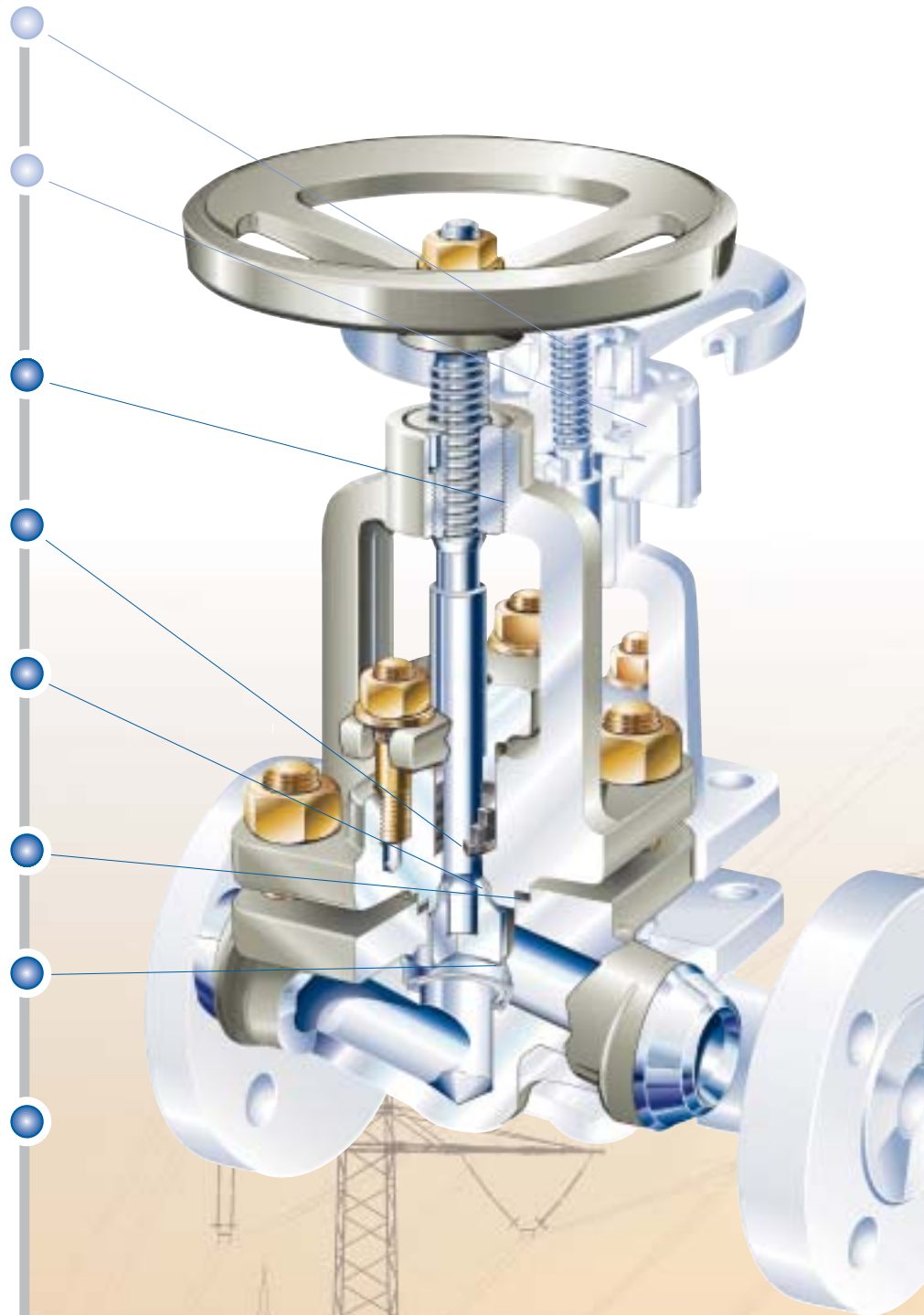
**Your benefit:**

- High functional reliability
- Long service life

OLIVE-CHROMATED BOLTS AND NUTS

**Your benefit:**

- Corrosion-resistant
- Easy to repair



## Convincing arguments:

For more than 125 years, pumps and valves by KSB have been a veritable success story. No wonder, since some 12,800 employees around the world are committed to that goal. KSB's comprehensive pump and valve programme – for pressures up to 600 bar and temperatures up to 650°C – guarantees maximum safety standards, be it in industry and power engineering or other demanding applications. Under the most

severe operating conditions, KSB globe and gate valves satisfy the most stringent of process requirements while meeting global engineering standards. KSB pumps and valves do service in more than 1,000 power plants. KSB's comprehensive field service ensures high levels of plant availability. Not least among the arguments most convincing for KSB customers are the products' good cost-benefit ratios and great per-

formance. With NORI<sup>®</sup> 160, NORI<sup>®</sup> 320 and now NORI<sup>®</sup> 500, KSB provides globe valve series for first-class operation and function as well as ensured long-term leak tightness.

The new NORI<sup>®</sup> 500, featuring a single-piece body without separate bonnet, optimally and reliably covers even the most demanding industrial and power engineering applications.



### NORI<sup>®</sup> 500

**Applications:** industrial plants, power stations, process engineering systems, shipbuilding; water, steam, gas, oil and other non-aggressive media

**Temperature range:** up to 580 °C, up to 650 °C if special materials are used

**Nominal pressure range:** PN 250-500

**Nominal diameters:** DN 10-65

### NORI<sup>®</sup> 320

**Applications:** industrial plants, power stations, process engineering systems, shipbuilding; water, steam, gas, oil and other non-aggressive media

**Temperature range:** up to 580 °C

**Nominal pressure range:** PN 250-320

**Nominal diameters:** DN 10-50



### NORI<sup>®</sup> 160

**Applications:** industrial plants, power stations, process engineering systems, shipbuilding; water, steam, gas, oil and other non-aggressive media

**Temperature range:** up to 550 °C

**Nominal pressure range:** PN 63-160

**Nominal diameters:** DN 10-200

## NORI<sup>®</sup> 500

THREADED BUSH FREE FROM NONFERROUS METAL GUIDED BETWEEN NEEDLE BEARINGS; WITH CUP SPRINGS AND COVER PLATE

**Your benefit:**

- Smooth opening and closing operation
- Absolute tight sealing at disc/seat interface even with fluctuating temperatures
- Insensitive to dirt

YOKE TOP WITH BAYONET JOINT DESIGNED TO ACCEPT A DIN ISO FLANGE

**Your benefit:**

- Simple installation of actuators without having to dismantle the pressure-retaining components
- No conversion required

POSITION INDICATOR AS A STANDARD WITH LOCATING DEVICE TO HOLD THE STEM IN PLACE

**Your benefit:**

- Globe valve position can always be checked
- High operating reliability

PURE-GRAPHITE GLAND PACKING

**Your benefit:**

- Easy to service
- Reliable sealing to atmosphere

BAYONET-TYPE VALVE BODY/YOKE JOINT

**Your benefit:**

- Easy to service through fast and simple installation and dismantling

SINGLE-PIECE BODY WITHOUT SEPARATE BONNET

**Your benefit:**

- No bonnet bolts that need to be retightened
- Just one sealing point to atmosphere

THROTTLING VALVE PLUG AS A STANDARD

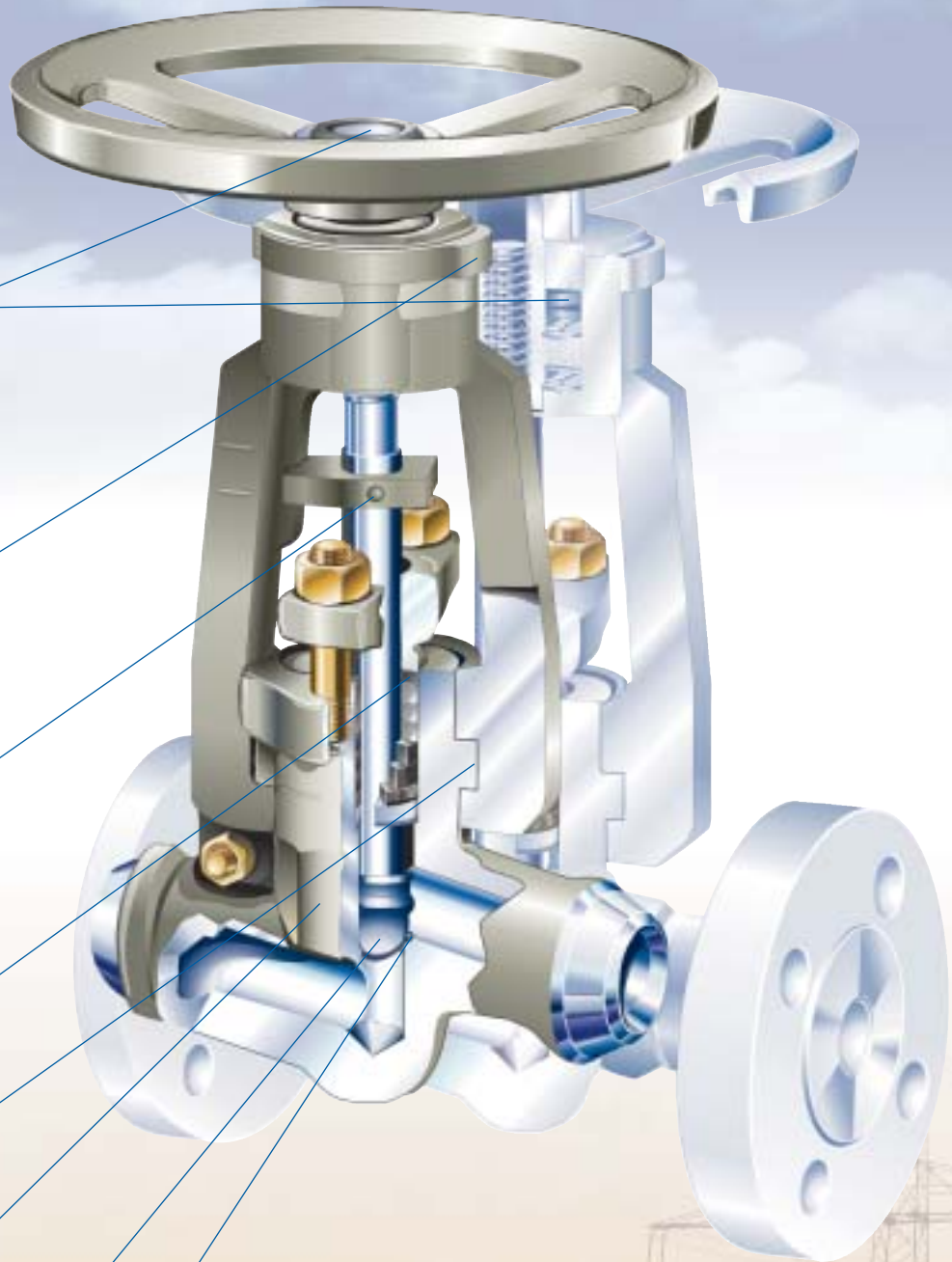
**Your benefit:**

- One valve model for shut-off and throttling
- Reduction in inventories and spare parts

VALVE SEAT MADE OF WEAR AND CORROSION RESISTANT STELLITE

**Your benefit:**

- High functional reliability
- Long service life



## NORI® 320

THREADED BUSH FREE FROM NON-FERROUS METAL, WITH COVER PLATE AND SUPPORTED BY NEEDLE BEARINGS

**Your benefit:**

- Smooth actuation
- Insensitive to dirt

YOKE TOP DESIGNED TO ACCEPT A DIN ISO FLANGE

**Your benefit:**

- Installation of actuators without having to dismantle the pressure-retaining components

POSITION INDICATOR AS A STANDARD WITH LOCATING DEVICE TO HOLD THE STEM IN PLACE

**Your benefit:**

- Globe valve position can always be checked
- High operating reliability

PURE-GRAPHITE GLAND PACKING

**Your benefit:**

- Easy to service
- Reliable sealing to atmosphere

BAYONET-TYPE VALVE BODY/YOKE JOINT

**Your benefit:**

- Easy to service through fast and simple installation and dismantling

SINGLE-PIECE BODY WITHOUT SEPARATE BONNET

**Your benefit:**

- No bonnet bolts that need to be retightened
- Just one sealing point to atmosphere

THROTTLING VALVE PLUG AS A STANDARD

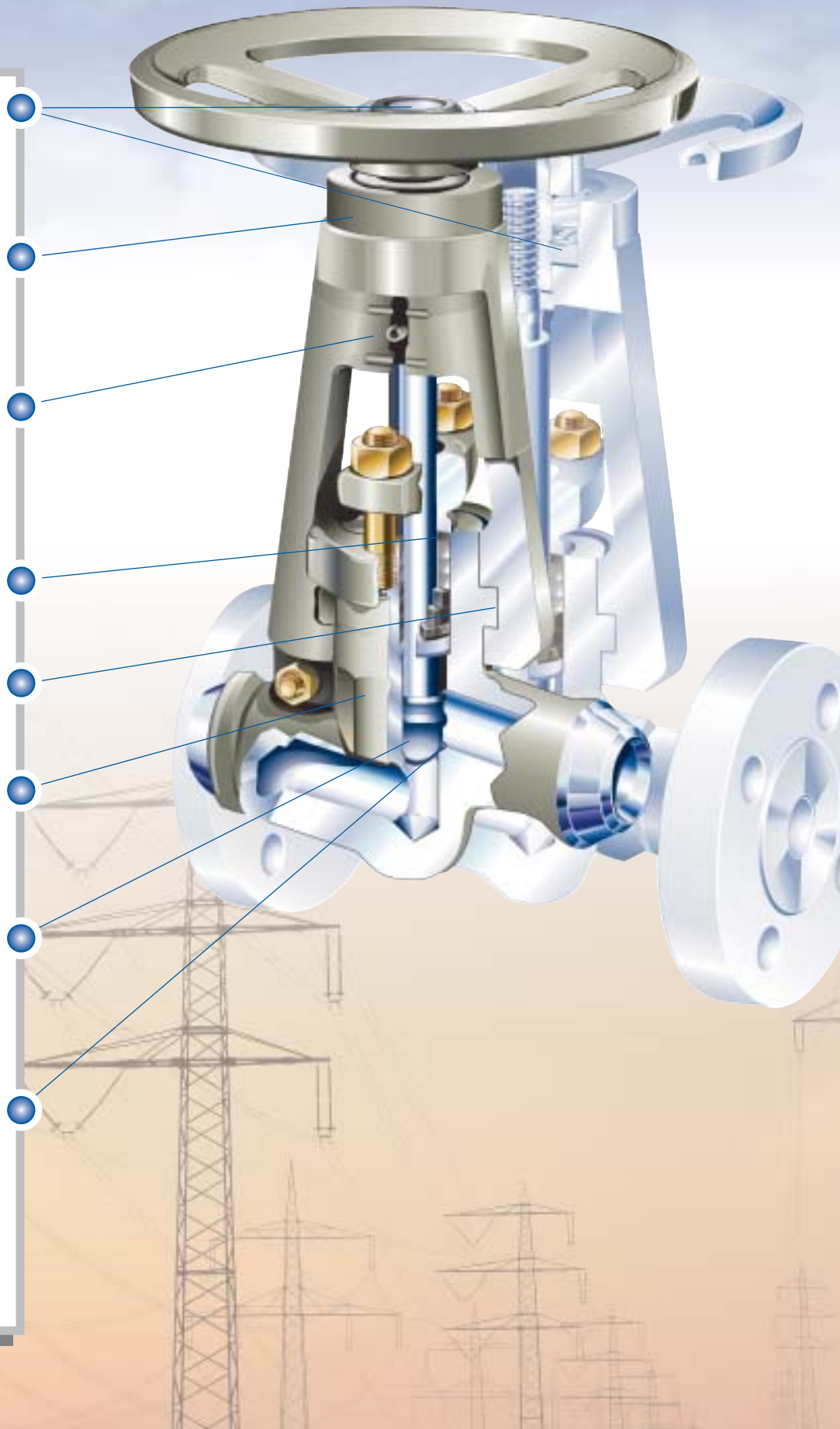
**Your benefit:**

- One valve model for shut-off and throttling
- Reduction in inventories and spare parts

VALVE SEAT MADE OF WEAR AND CORROSION RESISTANT STELLITE

**Your benefit:**

- High functional reliability
- Long service life



# KSB valves worldwide - we are where you are

## KSB Valves in Europe

### AUSTRIA

KSB Österreich Gesellschaft mbH, Vienna  
Tel: +43 (1) 91 03 00  
Fax: +43 (1) 91 03 02 02

### BELGIUM

N.V. KSB Belgium S.A., Wavre  
Tel: +32 (10) 43 52 11  
Fax: +32 (10) 43 52 55

### CZECH REPUBLIC

KSB Pumpy + Armatury, spol. s r.o., Prague  
Tel: +420 (2) 41 48 02 09  
Fax: +420 (2) 41 48 01 23

### DENMARK

KSB A/S, Rødovre  
Tel: +45 (36) 73 00 73  
Fax: +45 (36) 73 00 74

### FINLAND

Mercantile KSB Oy Ab, Helsinki  
Tel: +358 (9) 3 45 01  
Fax: +358 (9) 34 50 56 85

### FRANCE

KSB S.A. (AMRI), La Roche Chalais  
Tel: +33 (5) 53 92 44 00  
Fax: +33 (5) 53 92 44 01

### GERMANY

KSB Armaturen GmbH, Pegnitz  
Tel: +49 (92 41) 71 16 56  
Fax: +49 (92 41) 71 17 95

### GREAT BRITAIN

KSB Limited, Loughborough  
Tel: +44 (15 09) 23 18 72  
Fax: +44 (15 09) 21 52 28

### GREECE

KSB Tesma AG, Amaroussion  
(Gate and Globe Valves)  
Tel: +30 (1) 6 80 80 71  
Fax: +30 (1) 6 80 80 79  
General Commercial & Industrial S.A.,  
Aspropyrgos (Butterfly Valves)  
Tel: +30 (1) 5 57 49 28  
Fax: +30 (1) 5 57 23 43

### HUNGARY

KSB Szivattyu és Armatura, Kft., Budapest  
Tel: +36 (1) 2 09 37 35  
Fax: +36 (1) 2 09 37 78

### ITALY

KSB Italia S.p.A., Concorezzo  
Tel: +39 (039) 6 04 80 00  
Fax: +39 (039) 6 04 81 53

### LUXEMBURG

SISTO Armaturen S.A., Mersch  
Tel: +352 3 25 08 51  
Fax: +352 32 89 56

### NETHERLANDS

KSB Nederland B.V., Zwanenburg  
Tel: +31 (20) 4 07 98 00  
Fax: +31 (20) 4 07 98 05  
Econosto B.V., Rotterdam (SISTO)  
Tel: +31 (1) 02 84 13 47  
Fax: +31 (1) 02 84 12 12

### NORWAY

Lindflaten A.S., Oslo  
Tel: +47 (2) 2 42 39 90  
Fax: +47 (2) 2 41 57 25

### POLAND

KSB Pompy i Armatura Sp. z o.o.,  
Warsaw  
Tel: +48 (22) 6 73 08 96  
Fax: +48 (22) 6 73 08 95

### PORTUGAL

KSB Bombas e Válvulas S.A., Algés  
Tel: +351 (21) 4 12 30 50  
Fax: +351 (21) 4 12 30 55

### ROMANIA

Multigama Tech SRL, Bucharest  
Tel: +40 (1) 2 10 25 89  
Fax: +40 (1) 2 10 14 17

### RUSSIA

KSB-Repräsentanz Moskau, Moscow  
Tel: +7 (095) 9 35 71 73  
Fax: +7 (095) 9 35 71 69

### SLOVAK REPUBLIC

KSB Cerpadlá a Armatury, spol. s.r.o.,  
Bratislava  
Tel: +421 (7) 43 33 39 16  
Fax: +421 (7) 43 33 74 44

### SPAIN

KSB-AMVI S.A., Madrid  
Tel: +34 (91) 7 24 22 10  
Fax: +34 (91) 7 24 22 11

### SWEDEN

KSB Mörck AB, Gothenburg  
Tel: +46 (31) 7 20 24 00  
Fax: +46 (31) 7 20 24 99

### SWITZERLAND

KSB Zürich AG, Zurich  
Tel: +41 (1) 2 72 99 33  
Fax: +41 (1) 2 72 66 76

### TURKEY

KSB Pompa, Armatür Sanayi ve  
Ticaret A.S., Ankara  
Tel: +90 (312) 4 37 11 75  
Fax: +90 (312) 4 37 65 37

## KSB Valves in Africa

### SOUTH AFRICA

KSB Pumps (S.A.) (Pty.) Ltd., Germiston  
Tel: +27 (11) 8 76 56 00  
Fax: +27 (11) 8 28 02 44

## KSB Valves in the Americas

### ARGENTINA

KSB Compañía Sudamericana de  
Bombas S.A., Buenos Aires  
Tel: +54 (11) 47 66 30 21  
Fax: +54 (11) 47 66 54 49

### BRAZIL

KSB Bombas Hidráulicas S.A.,  
Várzea Paulista / São Paulo  
Tel: +55 (11) 78 66 87 02  
Fax: +55 (11) 78 66 87 47

### CHILE

KSB Chile S.A., Santiago  
Tel: +56 (2) 6 24 60 04  
Fax: +56 (2) 6 24 10 20

### MEXICO

KSB de Mexico S.A. de C.V., Mexico  
Tel: +52 (5) 2 07 48 66  
Fax: +52 (5) 5 14 18 46

### USA

AMRI Inc., Houston  
Tel: +1 (713) 6 82 00 00  
Fax: +1 (713) 6 82 00 80

### VENEZUELA

KSB Venezolana, C.A., Caracas  
Tel: +58 (2) 2 39 54 90  
Fax: +58 (2) 2 38 29 16

## KSB Valves in Asia

### AUSTRALIA

KSB Ajax Pumps Pty. Ltd., Tottenham  
Tel: +61 (3) 93 14 06 11  
Fax: +61 (3) 93 14 74 35

### CHINA

KSB AMRI Representative Office,  
Beijing  
Tel: +86 (10) 65 91 57 68  
Fax: +86 (10) 65 91 57 69

### HONG KONG

KSB Limited, Hong Kong  
Tel: +852 21 47 12 20  
Fax: +852 21 47 12 30

### INDIA

KSB Pumps Ltd., Coimbatore  
Tel: +91 (422) 89 25 47  
Fax: +91 (422) 89 26 50

### INDONESIA

PT. KSB Indonesia, Jakarta  
Tel: +62 (21) 45 84 20 70  
Fax: +62 (21) 45 84 20 71

### JAPAN

KSB Ltd., Tokyo  
Tel: +81 (3) 34 32 53 77  
Fax: +81 (3) 34 32 73 65

### KOREA

KSB Korea Ltd., Seoul  
Tel: +82 (2) 7 90 43 51  
Fax: +82 (2) 7 90 43 50

### MALAYSIA

KSB AMRI Malaysia, Selangor D.E.  
Tel: +60 (3) 77 81 35 10  
Fax: +60 (3) 77 81 35 11

### PHILIPPINES

KSB Philippines Representative office  
Santiago Village, Makati City  
Tel: +63 (2) 8 90 98 33  
Fax: +63 (2) 8 96 69 31

### PAKISTAN

KSB Pumps Co. Ltd., Lahore  
Tel: +92 (42) 6 30 41 73  
Fax: +92 (42) 6 36 88 78

### SINGAPORE

AMRI Pte. Ltd., Singapore  
Tel: +65 5 55 03 66  
Fax: +65 5 53 35 00

### TAIWAN

KSB Taiwan Co., Ltd., Kaohsiung  
Tel: +886 (7) 3 30 77 24  
Fax: +886 (7) 3 30 75 48

### THAILAND

KSB Pumps Co., Ltd., Bangkok  
Tel: +66 (2) 9 88 23 24  
Fax: +66 (2) 9 88 22 13



KSB Armaturen GmbH

Johann-Klein-Straße 9 • D-67227 Frankenthal (Pfalz)

Tel. +49 (6233) 86 22 21 • Fax +49 (6233) 86 34 76 • <http://www.ksbgroup.com>