

Swing Check Valve

ECOLINE WT/WTI

PN 16
DN 50-300
Wafer-type Design

Type Series Booklet



Legal information/Copyright

Type Series Booklet ECOLINE WT/WTI

KSB Aktiengesellschaft

All rights reserved. The contents provided herein must neither be distributed, copied, reproduced, edited or processed for any other purpose, nor otherwise transmitted, published or made available to a third party without KSB's express written consent.

Subject to technical modification without prior notice.

© KSB Aktiengesellschaft Frankenthal 2013

Check Valves and Strainers

Swing Check Valves

ECOLINE WT/WTI



Main applications

- Irrigation systems
- District heating
- Domestic water supply
- Sewage treatment plants
- Air-conditioning systems
- Cooling circuits
- Water supply systems

Fluids handled

- Cooling water
- Service water
- Grey water

Operating data

Operating properties

Characteristic	Value
Nominal pressure	PN 16
Nominal size	DN 50-300
Max. permissible pressure	16 bar
Max. permissible temperature	110 °C

Selection as per pressure/temperature ratings (⇒ Page 4)

Body materials

Overview of available materials

Material	Material number	Temperature limit
ECOLINE WT		
P250GH	1.0460	+110 °C

Material	Material number	Temperature limit
ECOLINE WTI		
X5CrNiMo17-12-2	1.4401	+110 °C

Design details

Design

- ECOLINE WT made of chromed carbon steel
- ECOLINE WTI made of stainless steel
- Tested to EN 12266-1
- Suitable for PN 16 flanges
- Single-disc design
- Compact, wafer-type body
- Sealed by Viton O-ring in body seat

Variants

- Other material variants
- Larger nominal sizes

Product benefits

- Viton O-ring on both faces

Related documents

- Operating manual V 020625/6

On all enquiries / orders please specify

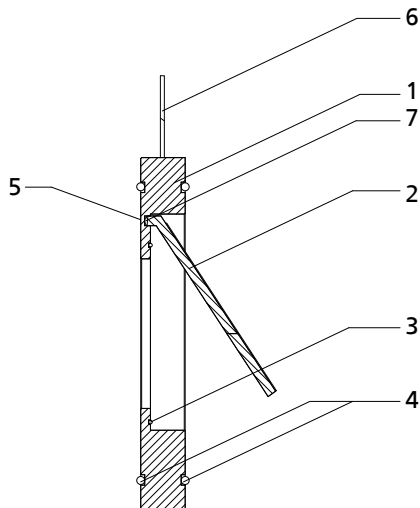
1. Type
2. Nominal pressure
3. Nominal size
4. Variants
5. Number of type series booklet

Pressure/temperature ratings

Permissible operating pressures in bar at temperatures in °C

Nominal pressure	Nominal size	Permissible operating pressures ¹⁾
PN	DN	Up to +110 °C
16	50-300	16,0

Materials

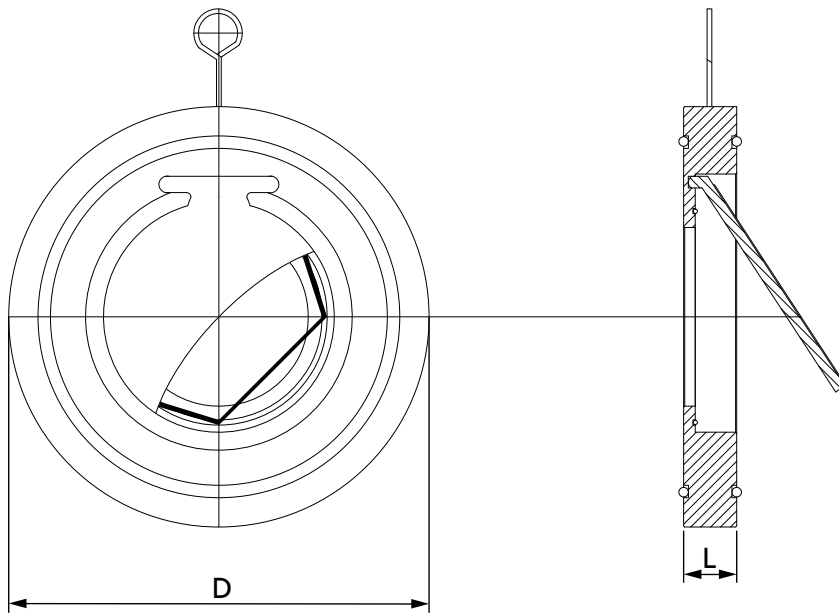


Overview of available materials

Part No.	Description	Material	Material number	Note
1	Body	P250GH	1.0460	Chromed (ECOLINE WT)
		X5CrNiMo17-12-2	1.4401	(ECOLINE WTI)
2	Disc	P250GH	1.0460	Chromed (ECOLINE WT)
		X5CrNiMo17-12-2	1.4401	(ECOLINE WTI)
3	O-ring	Viton		
4				
5	Screw	X5CrNiMo17-12-2	1.4401	
6	Hook	Galvanised steel		
7	Holder	X5CrNiMo17-12-2	1.4401	

¹⁾ Static load

Dimensions



Dimensions in mm

PN	DN	D	L	[kg]
16	50	109	14	1,0
	65	129	14	1,4
	80	144	14	1,9
	100	164	18	2,3
	125	195	18	3,6
	150	220	20	5,0
	200	275	22	10,5
	250	332	26	14,0
	300	388	30	18,2

Mating dimensions - Standards

Face-to-face lengths: see table
Wafer-type design: DIN EN 1092-1



KSB Italia S.p.A.

Via Massimo D'Azeglio, 32

20049 Concorezzo MB

Tel. +39 039 6048-000 – Fax +39 039 6048-097

www.ksb.com

Centri Service

Concorezzo MB • Via Massimo D'Azeglio, 32

Tel. +39 039 6048-000 • Fax +39 039 6048-882

Scorzè VE • Via Guido Rossa, 12/A

Tel. +39 041 5840917 • Fax +39 041 5840918