

Globe Valve

ECOLINE VA 16

PN 16
DN 15-250
Bolted Bonnet
Flanged Ends

Type Series Booklet



Legal information/Copyright

Type Series Booklet ECOLINE VA 16

KSB Aktiengesellschaft

All rights reserved. The contents provided herein must neither be distributed, copied, reproduced, edited or processed for any other purpose, nor otherwise transmitted, published or made available to a third party without KSB's express written consent.

Subject to technical modification without prior notice.

© KSB Aktiengesellschaft Frankenthal 2013

Globe Valves

Globe Valves with Gland Packing

ECOLINE VA 16



Main applications

- District heating
- Domestic water supply
- Air-conditioning systems
- Cooling circuits
- Hot water heating systems
- Water supply systems

Fluids handled

- Cooling water
- Heating water
- High-temperature hot water
- Oil
- Service water

Operating data

Operating properties

| Characteristic | Value |
|------------------------------|-----------|
| Nominal pressure | PN 16 |
| Nominal size | DN 15-250 |
| Max. permissible pressure | 16 bar |
| Max. permissible temperature | 300 °C |

Selection as per pressure/temperature ratings (⇒ Page 4)

Body materials

Overview of available materials

| Material | Material number | Temperature limit |
|------------|-----------------|-------------------|
| EN-GJL-250 | JL 1040 | +300 °C |

Design details

Design

- Tested to EN 12266-1
- Straight-way pattern
- Rotating stem
- Rising handwheel
- Bolted bonnet
- Graphite gland packing
- External coating: blue, RAL 5002, average film thickness: 70 µm

Variants

- Position indicator
- Throttling plug
- Valve disc seat made of PTFE
- Larger nominal sizes
- Other material variants
- Gearboxes
- Electric actuators

Related documents

- Operating manual V 020625/6

On all enquiries / orders please specify

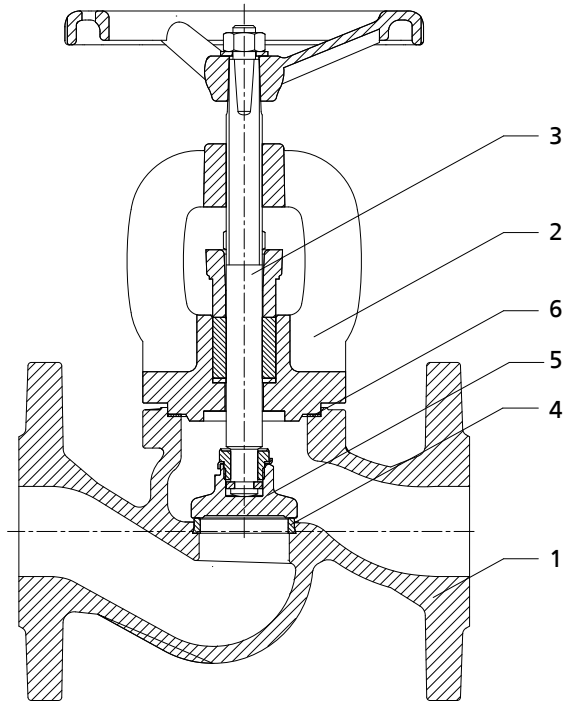
1. Type
2. Nominal pressure
3. Nominal size
4. Variants
5. Number of type series booklet

Pressure/temperature ratings

Permissible operating pressures in bar at a temperature of °C (to EN 12266-1)

| Nominal pressure PN | Material | -10 to 120 | 150 | 180 | 200 | 230 | 250 | 300 |
|---------------------|------------|------------|------|------|------|------|------|-----|
| 16 | EN-GJL-250 | 16,0 | 14,4 | 13,4 | 12,8 | 11,8 | 11,2 | 9,6 |

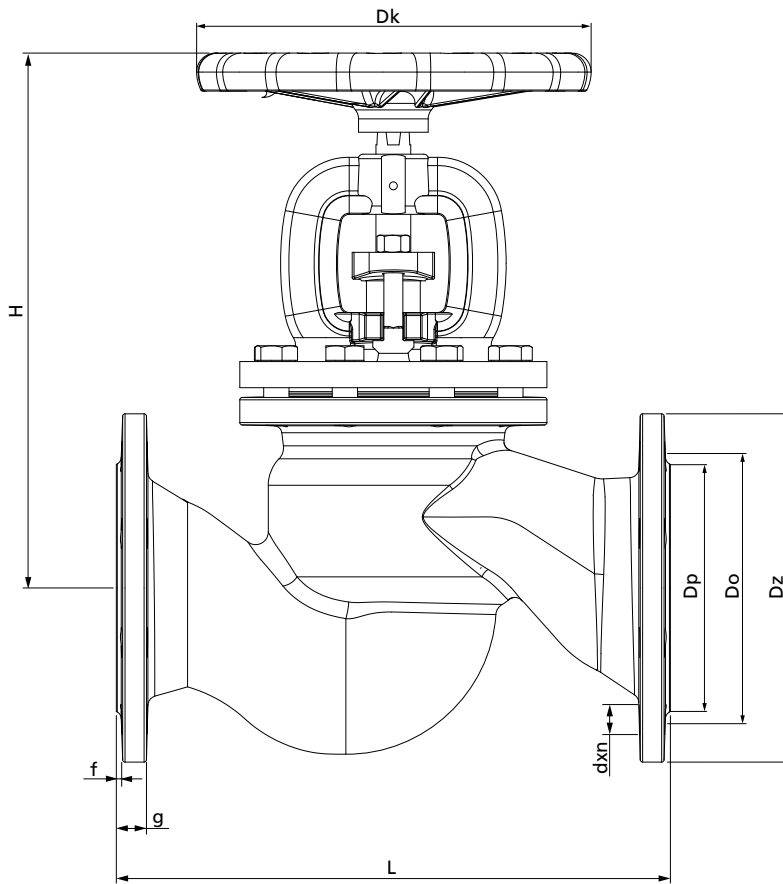
Materials



Overview of available materials

| Part No. | Description | Material | Material number |
|----------|---------------|------------|-----------------|
| 1 | Body | EN-GJL-250 | EN-JL1040 |
| 2 | Bonnet | EN-GJL-250 | EN-JL1040 |
| 3 | Stem | X10Cr13 | 1.4006 |
| 4 | Body seat | X10Cr13 | 1.4006 |
| 5 | Valve disc | X10Cr13 | 1.4006 |
| 6 | Bonnet gasket | Graphite | |

Dimensions



Dimensions in mm

| PN | DN | L | H | g | f | Dz | Do | Dp | n | d | Dk | [kg] |
|-----|-----|-----|-----|----|-----|-----|-----|-----|----|-----|-------|-------|
| 16 | 15 | 130 | 167 | 14 | 2 | 95 | 65 | 46 | 4 | 14 | 100 | 3,3 |
| | 20 | 150 | 167 | 16 | 2 | 105 | 75 | 56 | 4 | 14 | 100 | 3,9 |
| | 25 | 160 | 175 | 16 | 2 | 115 | 85 | 65 | 4 | 14 | 120 | 5,0 |
| | 32 | 180 | 186 | 18 | 2 | 140 | 100 | 76 | 4 | 19 | 120 | 6,6 |
| | 40 | 200 | 235 | 18 | 3 | 150 | 110 | 84 | 4 | 19 | 160 | 8,4 |
| | 50 | 230 | 248 | 20 | 3 | 165 | 125 | 99 | 4 | 19 | 160 | 12,0 |
| | 65 | 290 | 260 | 20 | 3 | 185 | 145 | 118 | 4 | 19 | 180 | 17,3 |
| | 80 | 310 | 291 | 22 | 3 | 200 | 160 | 132 | 8 | 19 | 200 | 22,7 |
| | 100 | 350 | 338 | 24 | 3 | 220 | 180 | 156 | 8 | 19 | 250 | 35,8 |
| | 125 | 400 | 384 | 26 | 3 | 250 | 210 | 184 | 8 | 19 | 250 | 52,8 |
| | 150 | 480 | 429 | 26 | 3 | 285 | 240 | 211 | 8 | 23 | 320 | 74,2 |
| | 200 | 600 | 529 | 30 | 3 | 340 | 295 | 266 | 12 | 23 | 360 | 126,0 |
| 250 | 730 | 638 | 32 | 3 | 405 | 355 | 319 | 12 | 28 | 360 | 200,0 | |

Mating dimensions - Standards

Face-to-face lengths: EN 558-1/1
Flanges: DIN EN 1092-2

Notes on installation

Globe valves are bi-directional and can be installed in any position. However, the preferred installation position is with the stem pointing vertically upwards.



KSB Italia S.p.A.

Via Massimo D'Azeglio, 32

20049 Concorezzo MB

Tel. +39 039 6048-000 – Fax +39 039 6048-097

www.ksb.com

Centri Service

Concorezzo MB • Via Massimo D'Azeglio, 32

Tel. +39 039 6048-000 • Fax +39 039 6048-882

Scorzè VE • Via Guido Rossa, 12/A

Tel. +39 041 5840917 • Fax +39 041 5840918