

Centrifugal Pump

## Emporia CP

### Type Series Booklet



## **Legal information/Copyright**

Type Series Booklet Emporia CP

All rights reserved. The contents provided herein must neither be distributed, copied, reproduced, edited or processed for any other purpose, nor otherwise transmitted, published or made available to a third party without the manufacturer's express written consent.

Subject to technical modification without prior notice.

© KSB Aktiengesellschaft, Frankenthal 24/11/2016

---

## Contents

<b>Water Supply</b> .....	<b>4</b>
Water Supply Pumps .....	4
Emporia CP.....	4
Main applications.....	4
Fluids handled .....	4
Operating data.....	4
Designation .....	4
Design details .....	4
Materials.....	4
Product benefits.....	4
Technical data .....	5
Selection chart.....	5
Dimensions .....	6

## Water Supply

### Water Supply Pumps

# Emporia CP



#### Main applications

- Spray irrigation systems
- General irrigation systems
- Water supply systems

#### Fluids handled

- Clean to turbid water not containing aggressive, abrasive or solid substances

#### Operating data

##### Operating properties

Characteristic		Value
Flow rate	Q [m <sup>3</sup> /h]	≤ 7.5
	Q [l/s]	≤ 2.0
Head	H [m]	≤ 55
Fluid temperature	T [°C]	≤ 90
Operating pressure	p [bar]	≤ 6 (CP-51, 81, 101)
		≤ 8 (CP-151, 221, 301)
Connection	G 1	

#### Designation

##### Example: Emporia CP-151 M

##### Designation key

Code	Description	
Emporia CP	Design	
151	Size	
M	Type of current	
	M	1~230 V
	T2	3~230/400 V

#### Design details

##### Design

- Close-coupled design
- Single-stage

##### Drive

- 1~230 VAC, 50 Hz
- Thermal overload protection
- 3~400 VAC, 50 Hz
- Thermal class F
- IP44 enclosure

##### Impeller type

- Closed radial impeller

##### Bearings

- Deep groove ball bearings
- Grease-lubricated for life

##### Shaft seal

- Mechanical seal

#### Materials

##### Overview of available materials

Component	Material
Pump casing	Grey cast iron
Shaft	Stainless steel AISI 416 (CP-51, 81, 101) Stainless steel AISI 303 (CP-151, 221, 301)
Impeller	Noryl GTX polymer (CP-51, 81, 101) Brass (CP-151, 221, 301)
Motor housing	Grey cast iron Aluminium (CP-81, 101)
Bearing bracket	Grey cast iron
Mechanical seal	Ceramics/graphite

#### Product benefits

- Reliable operation through robust construction

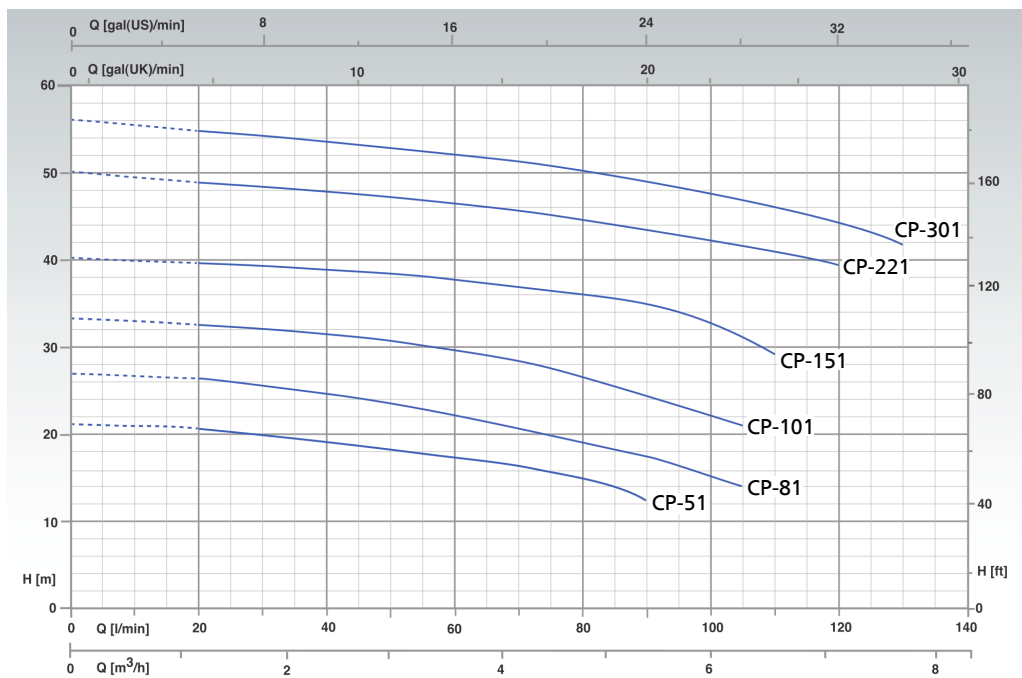
### Technical data

Selection table

Size	Connection		P <sub>1</sub>	P <sub>N</sub>		I <sub>N</sub>		Mat. No.	[kg]
	Piping	Pump		[kW]	[kW]	[hp]	1~230 V		
			[A]	[A]					
CP-51 M	G 1	G 1	0,59	0,37	0,50	2,80	-	48224864	9
CP-51 T2	G 1	G 1	0,65	0,37	0,50	-	1,10	48224865	9
CP-81 M	G 1	G 1	0,90	0,59	0,80	4,50	-	48224866	12,7
CP-81 T2	G 1	G 1	0,94	0,59	0,80	-	1,70	48224867	12,7
CP-101 M	G 1	G 1	1,16	0,74	1,00	5,70	-	48224858	14
CP-101 T2	G 1	G 1	1,17	0,74	1,00	-	2,00	48224859	14
CP-151 M	G 1	G 1	1,90	1,10	1,50	8,50	-	48224860	22,5
CP-151 T2	G 1	G 1	1,80	1,10	1,50	-	3,40	48224861	22,5
CP-221 T2	G 1	G 1	2,43	1,65	2,20	-	4,90	48224862	23
CP-301 T2	G 1	G 1	2,97	2,20	3,00	-	5,10	48224863	23,5

### Selection chart

Emporia CP, n = 2900 rpm



Dimensions

Emporia CP

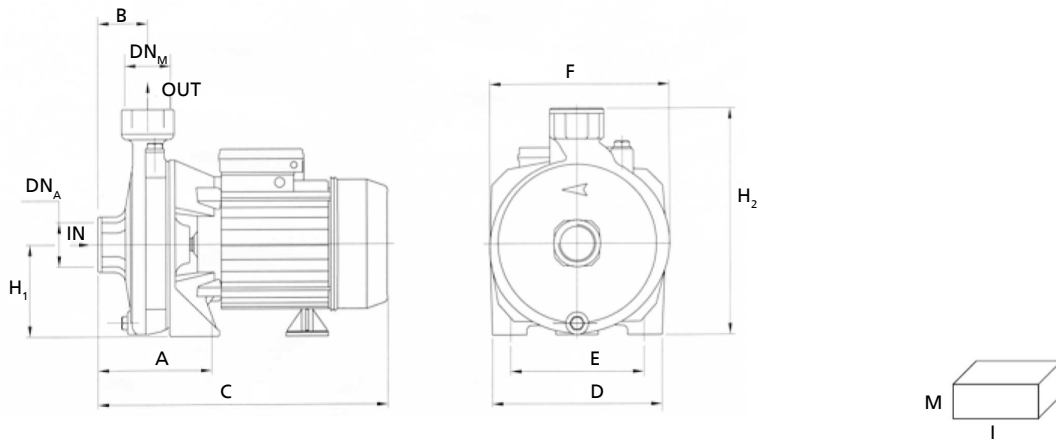


Fig. 1: Emporia CP

Dimensions [mm]

Size	DN <sub>A</sub>	DN <sub>M</sub>	A	B	C	D	E	F	H <sub>1</sub>	H <sub>2</sub>	I	L	M
CP-51	G 1	G 1	85	45,5	265	150	110	160	82	202	250	175	225
CP-81	G 1	G 1	110	46,5	300	150	140	185	97	234	325	200	265
CP-101	G 1	G 1	110	46,5	300	180	140	185	97	234	325	200	265
CP-151	G 1	G 1	117	46,5	348	220	180	225	115	285	370	240	315
CP-221	G 1	G 1	117	46,5	348	220	180	225	115	285	370	240	315
CP-301	G 1	G 1	117	46,5	348	220	180	225	115	285	370	240	315





**KSB Aktiengesellschaft**  
Johann-Klein-Straße 9 • 67227 Frankenthal (Germany)  
Tel. +49 6233 86-0  
[www.ksb.com](http://www.ksb.com)