

Peripheral Impeller Pump

## Emporia PD

### Type Series Booklet



## **Legal information/Copyright**

Type Series Booklet Emporia PD

All rights reserved. The contents provided herein must neither be distributed, copied, reproduced, edited or processed for any other purpose, nor otherwise transmitted, published or made available to a third party without the manufacturer's express written consent.

Subject to technical modification without prior notice.

© KSB Aktiengesellschaft, Frankenthal 08/12/2016

---

## Contents

<b>Water Supply</b> .....	<b>4</b>
Water Supply Pumps.....	4
Emporia PD.....	4
Main applications.....	4
Fluids handled.....	4
Operating data.....	4
Designation.....	4
Design details.....	4
Materials.....	4
Product benefits.....	4
Technical data.....	5
Selection chart.....	5
Dimensions.....	5

## Water Supply

### Water Supply Pumps

# Emporia PD



#### Main applications

- Spray irrigation systems
- General irrigation systems
- Water supply systems

#### Fluids handled

- Clean to turbid water not containing aggressive, abrasive or solid substances

#### Operating data

Operating properties

Characteristic		Value
Flow rate	Q [m <sup>3</sup> /h]	≤ 3
	Q [l/s]	≤ 0.8
Head	H [m]	≤ 55
Fluid temperature	T [°C]	≤ 90
Operating pressure	p [bar]	≤ 8
Connection	G 1	

#### Designation

Example: Emporia PD-A50 M

Designation key

Code	Description	
Emporia PD	Type series	
A50	Size	
M	Type of current	
	M	1~230 V
	T2	3~230/400 V

#### Design details

##### Design

- Peripheral pump
- Close-coupled design
- Single-stage

##### Drive

- 2-pole induction motor
- With thermal protection and start capacitor
- 1~230 VAC, 50 Hz
- Thermal overload protection
- 3~230/400 VAC, 50 Hz
- Thermal class F
- IP44 enclosure

##### Bearings

- Deep groove ball bearings
- Grease-lubricated for life

##### Shaft seal

- Mechanical seal

#### Materials

Overview of available materials

Component	Material
Volute casing	Grey cast iron
Shaft	Stainless steel AISI 416
Impeller	Brass
Motor housing	Grey cast iron
Mechanical seal	Ceramics/graphite

#### Product benefits

- High heads at low flow rate guaranteed
- Compact design with small footprint

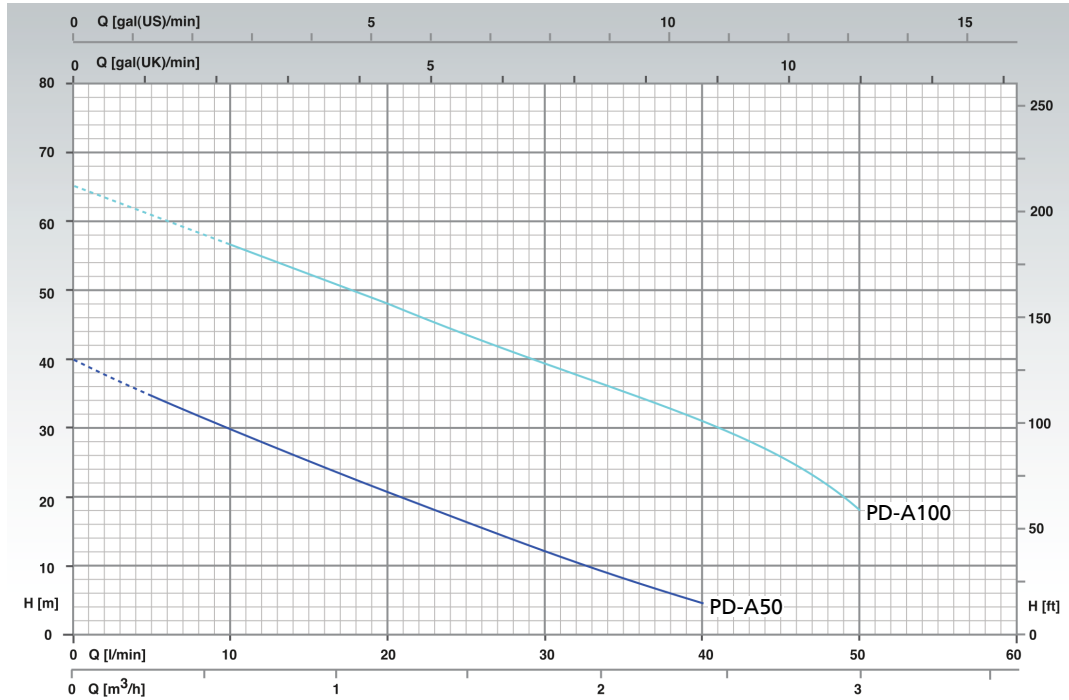
### Technical data

#### Selection table

Size	Connection		P <sub>1</sub> [kW]	P <sub>N</sub>		I <sub>N</sub>		Mat. No.	[kg]
	Piping	Pump		[kW]	[hp]	1~230 V [A]	3~230/400 V [A]		
PD-A50 M	G 1	G 1	0,50	0,37	0,50	2,30	-	48224856	6
PD-A50 T2	G 1	G 1	0,50	0,37	0,50	-	1,00	48224857	6
PD-A100 M	G 1	G 1	1,11	0,74	1,00	5,20	-	48224854	9,5
PD-A100 T2	G 1	G 1	1,11	0,74	1,00	-	2,00	48224855	9,5

### Selection chart

#### Emporia PD, n = 2900 rpm



### Dimensions

#### Emporia PD

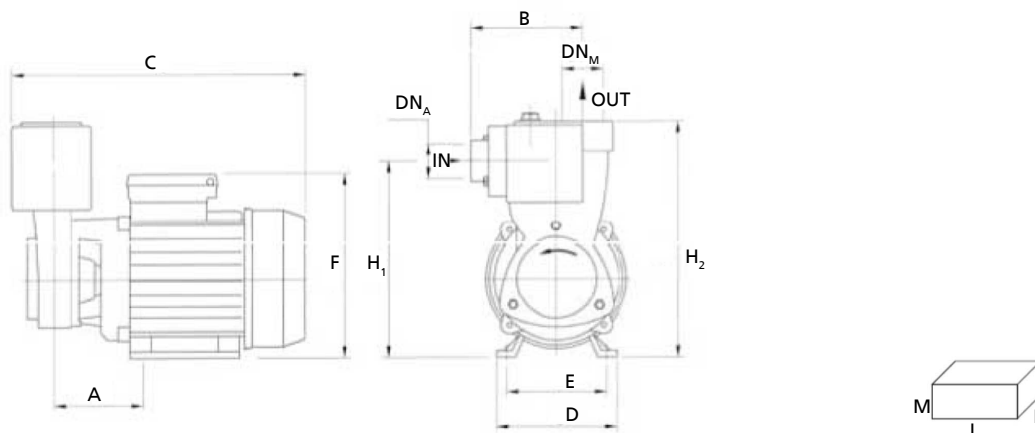


Fig. 1: Emporia PD-A50

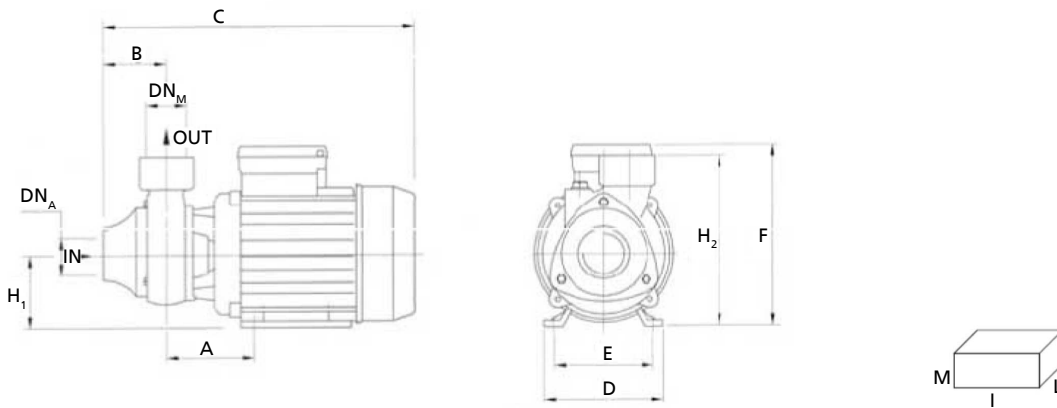


Fig. 2: Emporia PD-A100

Dimensions [mm]

Size	DN <sub>A</sub>	DN <sub>M</sub>	A	B	C	D	E	F	H <sub>1</sub>	H <sub>2</sub>	I	L	M
PD-A50	G 1	G 1	63	89	240	120	97	155	150	184	260	160	225
PD-A100	G 1	G 1	71,5	50	290	135	112	172	75	164	310	185	195





**KSB Aktiengesellschaft**  
Johann-Klein-Straße 9 • 67227 Frankenthal (Germany)  
Tel. +49 6233 86-0  
[www.ksb.com](http://www.ksb.com)