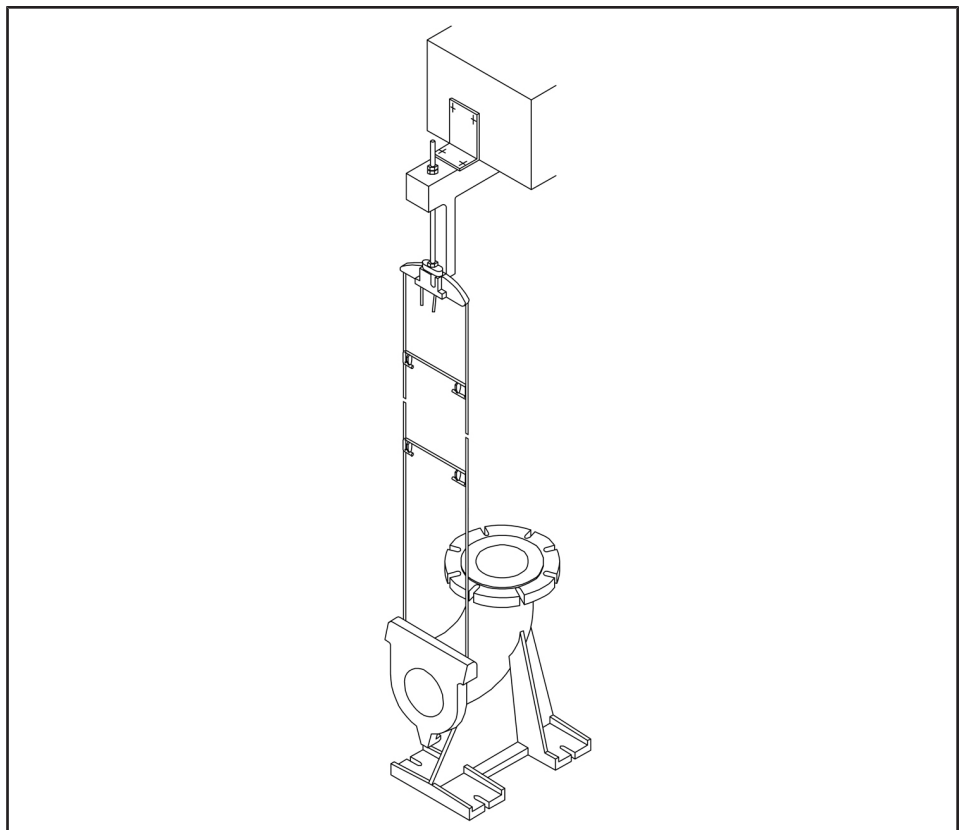


Wire Spacers

Amarex KRT
DN 200, 250, 300, 350, 400, 500, 600, 700

Supplementary Operating Manual



Mat. No.: 01504152

Legal information/Copyright

Supplementary Operating Manual Wire Spacers

Original operating manual

All rights reserved. The contents provided herein must neither be distributed, copied, reproduced, edited or processed for any other purpose, nor otherwise transmitted, published or made available to a third party without the manufacturer's express written consent.

Subject to technical modification without prior notice.

© KSB SE & Co. KGaA, Frankenthal 18/01/2018

Contents

| | | |
|----------|--|----------|
| 1 | Supplementary Operating Manual | 4 |
| 1.1 | General..... | 4 |
| 1.2 | Technical data..... | 4 |
| 1.3 | Installing the wire spacers..... | 5 |
| 1.3.1 | Installing the wire spacers after guide wire installation | 5 |
| 1.3.2 | Installing the wire spacers before guide wire installation | 6 |

1 Supplementary Operating Manual

1.1 General

This supplementary operating manual accompanies the installation/operating manual. All information contained in the installation/operating manual must be observed.

Table 1: Relevant operating manuals

| Type series | Reference number of the installation/operating manual |
|-------------|---|
| Amarex KRT | 50 Hz: |
| | 2553.86 |
| | 2553.8048 |
| | 2553.8050 |
| | 60 Hz: |
| | 2553.861 |
| | 2553.8049 |
| | 2553.8051 |

1.2 Technical data

Table 2: Technical data

| Feature | | Value |
|---------------------|------|-------|
| Installation depth | [m] | > 5 |
| Guide wire diameter | [mm] | 10 |

1.3 Installing the wire spacers

Wire spacers and hose clips are supplied separately. The assembly of installation parts requires the wire spacers to be installed horizontally between the guide wires.

1.3.1 Installing the wire spacers after guide wire installation

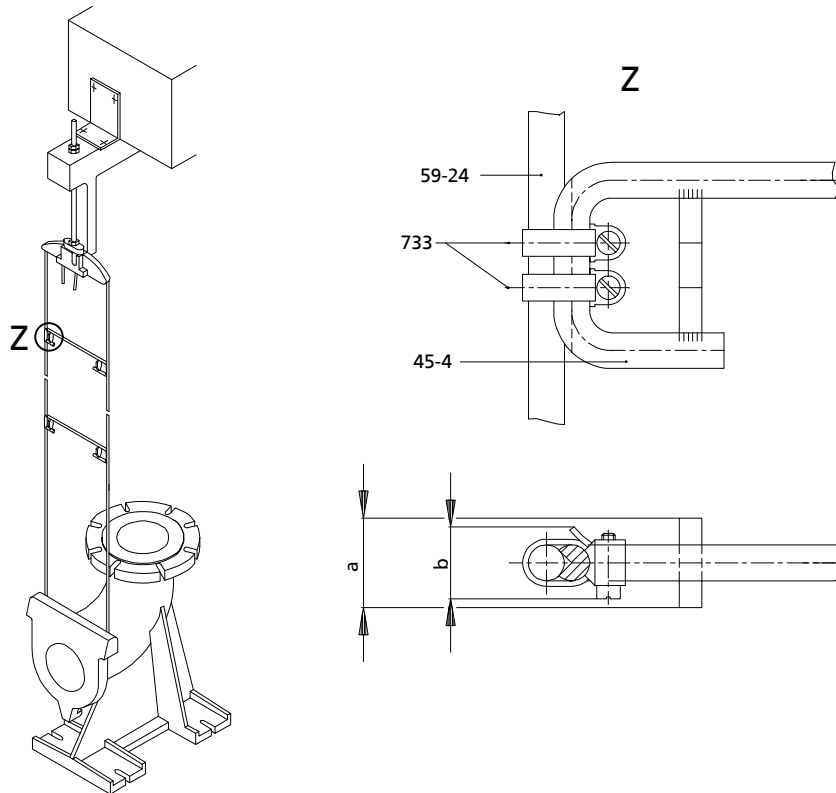


Fig. 1: Installing the wire spacers after guide wire installation

Table 3: Dimensions a, b [mm]

| a | b |
|------|------|
| ≤ 25 | ≤ 15 |

1. Fit wire spacers 45-4 such that they are evenly spaced at 2.5 to 2.9 metre intervals along the entire length of guide wire 59-24.
2. Align the wire spacers horizontally and fasten them on the guide wire using four hose clips 733.
3. Bend down the protruding end of the hose clip with a suitable tool, observing dimension b.

1.3.2 Installing the wire spacers before guide wire installation

If, for site-specific reasons, the wire spacers cannot be fitted after the guide wire has been installed, they can also be fitted before the guide wire is installed.

i Wire rope clips 81-51 (to DIN 1142) are not included in KSB's scope of supply.

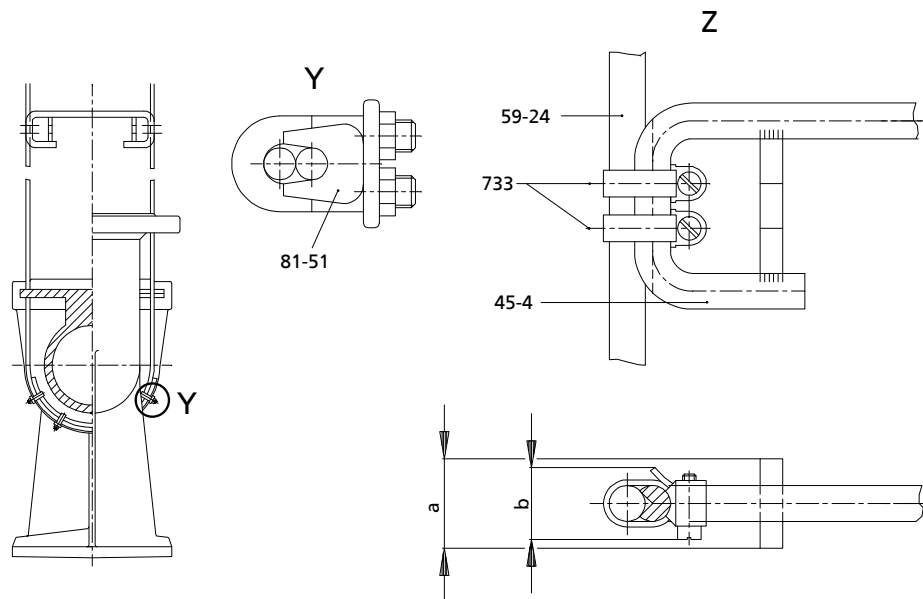


Fig. 2: Installing the wire spacers before guide wire installation

Table 4: Dimensions a, b [mm]

| a | b |
|------|------|
| ≤ 25 | ≤ 15 |

1. Roll out guide wire 59-24 outside the pump sump and cut it in half.
2. Align guide wires 59-24 in parallel and fit the first wire spacer 45-4 between the guide wires at a distance of approx. 2.5 m to 3 m from the end.
3. Align the wire spacers horizontally and fasten them on the guide wire using four hose clips 733.
4. Bend down the protruding end of the hose clip with a suitable tool, observing dimension b.
5. Fit the remaining wire spacers 45-4 such that they are evenly spaced and aligned in parallel at 2.5 to 2.9 metre intervals along the entire length of guide wire 59-24.
6. Align the wire spacers horizontally and fasten them on the guide wire using four hose clips 733.
7. Bend down the protruding end of the hose clip with a suitable tool, observing dimension b.
8. Guide the pre-assembly into the pump sump and assemble the upper guide wire end with the suspension bracket as described in the installation/operating manual (refer to Section "Fitting the guide wire arrangement"). Make sure that wire spacers 45-4 are aligned horizontally.
9. Run the lower ends of guide wire 59-24 through the drilled holes in the flanged bend and join using four wire rope clips 81-51 (to DIN 1142).
10. Pull guide wire 59-24 taut in accordance with the installation/operating manual.



KSB SE & Co. KGaA

Johann-Klein-Straße 9 • 67227 Frankenthal (Germany)

Tel. +49 6233 86-0

www.ksb.com