

► Our technology. Your success.

Pumps • Valves • Service



## Ama-Drainer<sup>®</sup>-Box Mini – Automatic Waste Water Lifting Unit



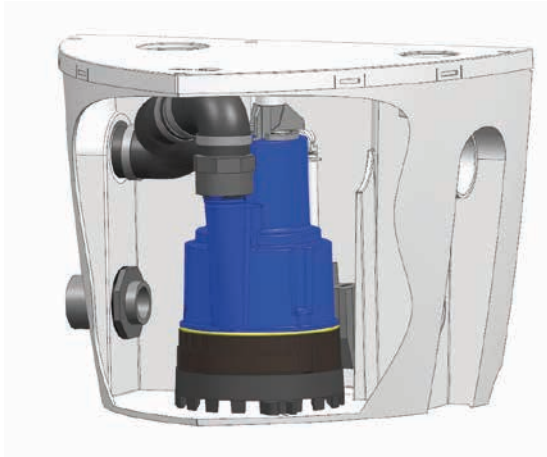
### Applications:

Automatic disposal of waste water from washbasins, showers, sinks, dishwashers and washing machines

More information: [www.ksb.com](http://www.ksb.com)

# Ama-Drainer®-Box Mini – Automatic Waste Water Lifting Unit for Above-floor Installation

Material variant for aggressive fluids available (variant C)



- **Fast installation and ease of handling**
  - Ready-to-connect waste water lifting unit: pre-installed pump saves time
  - No accessories required
- **Attractive styling well-suited to visible installation**
  - Low-height triangle-shaped tank of modern design with wall mounting option
  - Space-saving, stable solution and low vibration level
- **No bad odours**
  - New type of moisture-resistant activated carbon filter: long life, excellent odour absorption, compliance with hygiene requirements
  - Integrated overflow protection

- **Flexible use**
  - Large variety of connection options: DN 32, DN 40 and DN 50 connection diameters with self-sealing rubber sockets
  - 2 inlet levels can be selected, e.g. for washing machine, dishwasher, shower, etc.
  - Discharge line can be connected either on the left or on the right.
  - One float can be set for 2 switching levels.
  - Shower connection as a standard
- **Reliable and easy-to-service**
  - Powerful, maintenance-free submersible motor pump type AmaDrainer 301
  - High availability

## Fluids handled

Standard design – Particle size 10 mm  
Slightly contaminated water

Variant C – Particle size 10 mm  
Aggressive fluids

Ama-Drainer-Box Mini is not suitable for sewage from urinals and toilets. For these applications, please use our mini-Compacta sewage lifting units.

## Technical data

|                   |                                      |
|-------------------|--------------------------------------|
| Flow rate         | Up to 10 m <sup>3</sup> /h (2,8 l/s) |
| Head              | Up to 6.5 m                          |
| Fluid temperature | Up to 50 °C                          |
| Effective volume  | 10 l                                 |



KSB SE & Co. KGaA  
Johann-Klein-Straße 9  
67227 Frankenthal (Germany)  
www.ksb.com