

AmaDrainer® 3 – Submersible Motor Pump



AmaDrainer® 301

Applications:

- Drainage of pits, shafts, yards and cellars subject to a flooding risk
- Water extraction from reservoirs and rivers
- Emergency drainage
- Drainage of outside basement stairwells and underground passages
- Lowering of surface water levels
- Drainage

More information: www.ksb.com



AmaDrainer® 303



AmaDrainer® 322



AmaDrainer® 354

Your contact:

Form area for contact information, consisting of a large empty rectangular box with corner brackets.

AmaDrainer® 3 – Submersible Motor Pump

Flexible

- Integrated low water level intake (sizes 301, 303)
- Use with or without control unit
- All sizes available in material variant for aggressive fluids.
- Versions with large free passage also suitable for fluids containing larger solids (e.g. from washing machines):
 - size 322: 18 mm
 - size 354: 35 mm

High operating reliability and dependability

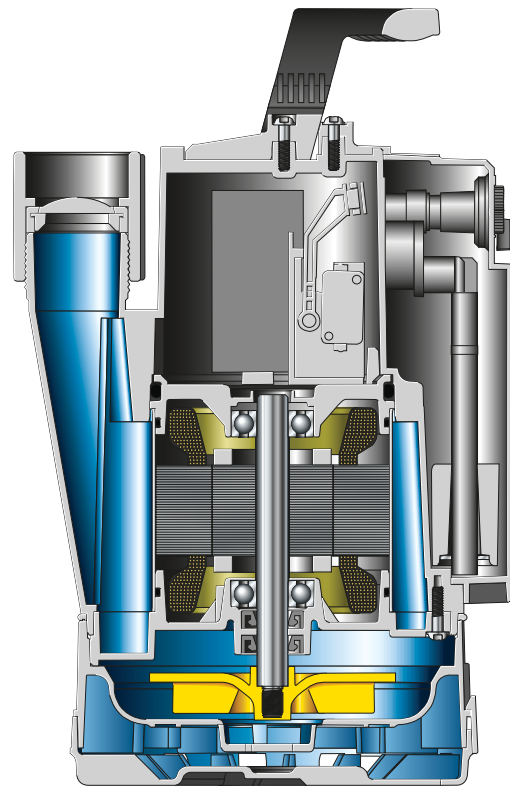
- Integrated swing check valve (sizes 301, 303, 322)
- Integrated motor protection
- Jacket-cooled motor permits operation even when motor is not submerged.
- Long service life with high-quality plastic casing; low-weight and corrosion-proof

Space-saving

- Compact dimensions for space-saving installation
- Integrated float switch

Fast and convenient commissioning

Easy installation, ready-to-connect



Technical data

Flow rate	Up to 12 m ³ /h (3.4 l/s)
Head	Up to 11.3 m
Fluid temperature	Up to +70 °C (short period up to 90 °C)
Free passage	Up to 35 mm
Cable length	10 m
Voltage	230 V

Optional automation with LevelControl Basic 2 control unit

AmaDrainer® 3 characteristic curves

