

► Our technology. Your success.

Pumps • Valves • Service



Filtra N – Single-stage, Self-priming Centrifugal Pump



Applications:

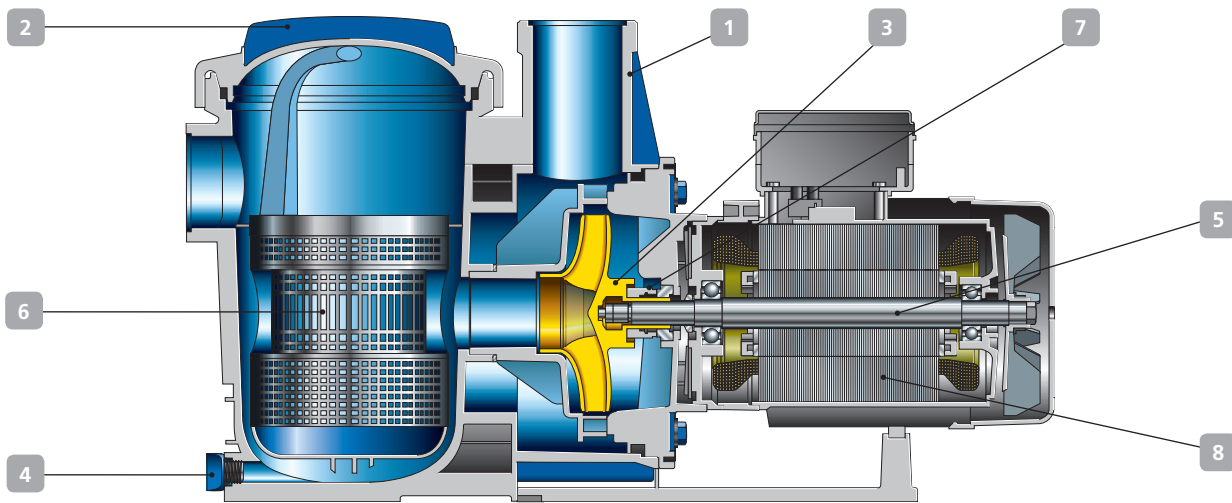
Recirculation of swimming pool water in filtering systems

More information:

www.ksb.com/products

Your contact:

Filtra N – Single-stage, Self-priming Centrifugal Pump in Close-coupled Design



1 Corrosion-resistant

Single-piece pump casing made of impact-resistant plastic material

2 Contamination level easy to detect

Transparent screw-on lid with mechanical stop

3 Shaft protected against corrosion

The impeller completely encases the shaft end.

4 Fast drainage if there is a risk of freezing

Two screw plugs for drainage

5 Resistant to aggressive water

Shaft made of stainless steel

6 Easy to clean

Large volume, low-clogging filter basket, can be hinged open

7 Maintenance-free and reliable

Shaft sealed by mechanical seal

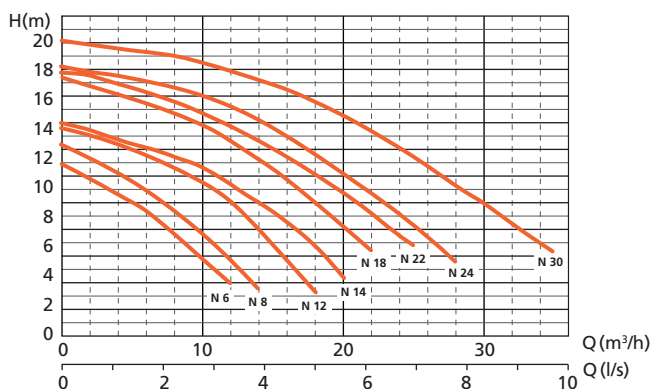
8 Low-noise operation

Single-phase a.c. motor with integrated overload protection, or three-phase motor

Compact and service-friendly

Self-priming close-coupled pump

Filtra N characteristic curves



Technical data

Flow rate	Up to 36 m ³ /h (10 l/s)
Head	Up to 21 m
Pump discharge pressure	Up to 2.5 bar
Fluid temperature	Up to +35 °C



KSB Aktiengesellschaft
 Johann-Klein-Straße 9
 67227 Frankenthal (Germany)
 www.ksb.com