

► Our technology. Your success.

Pumps • Valves • Service



## Vitachrom® – Rolled Steel Centrifugal Pump for Sterile Applications



Vitachrom® with PumpDrive variable speed system, KSB Guard monitoring unit and KSB SuPremE® motor



### Applications:

Hygienic and sterile handling of fluids in the food, beverage and pharmaceutical industries

### More information:

[www.ksb.com/products](http://www.ksb.com/products)

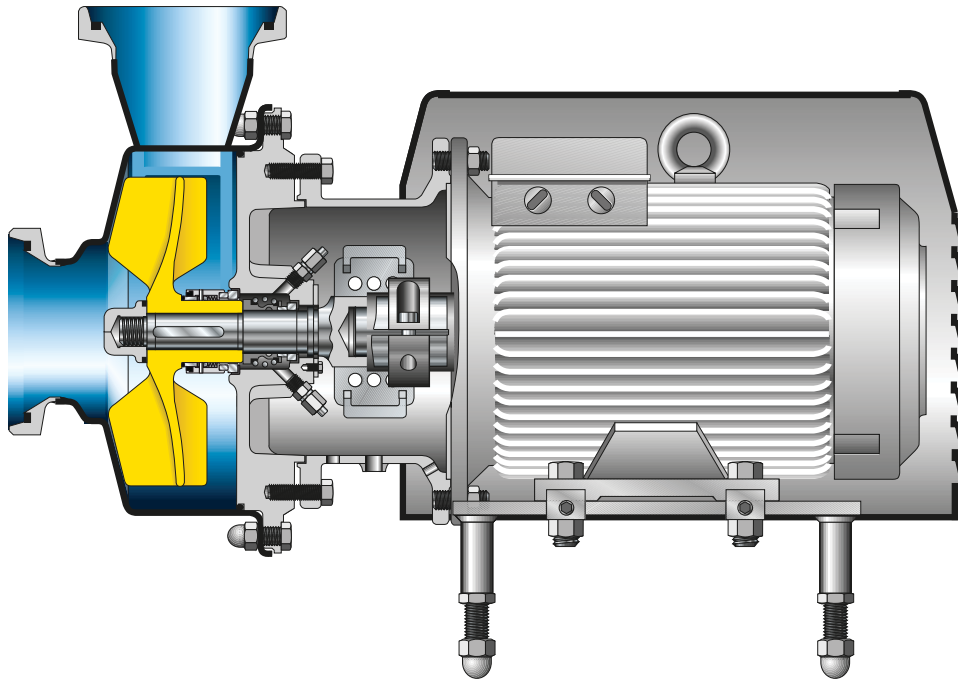


Vitachrom® in standard design



Intelligent monitoring with KSB Guard: [ksb.com/guard](http://ksb.com/guard)

# Vitachrom® – Rolled Steel Centrifugal Pump for Sterile Applications



## Suitable for hygienic applications

The zero dead volume design with excellent surface grades thanks to electropolishing and active flushing of the mechanical seal make the pump perfectly suitable for CIP/SIP.

## Service-friendly

Easy-to-replace mechanical seal and straightforward retrofitting from single to double mechanical seal in tandem arrangement. Quick adjustment of impeller clearance at the casing via stub shaft with taper lock ring.

## Easy on the fluid

Careful fluid handling ensured by polished surfaces, open impeller with wide free passage and smooth edges.

## Versatile

The pump shaft in separate bearings allows for connecting motors to different standards, including variable speed motors.

## Energy-efficient

- Variable speed operation in combination with KSB PumpDrive
- When used in combination with the KSB SuPremE® motor, the pump achieves efficiency level IE5\* to IEC/CD 60034-30 Ed. 2.
- KSB Guard enables the pump's operating status to be closely monitored – for maximum transparency and efficiency. [www.ksb.com/guard](http://www.ksb.com/guard)

\*IE5 in accordance with IEC/TS 60034-30-2 up to 15/18.5 kW (only for 1500 rpm types rated 0.55 kW, 0.75 kW, 2.2 kW, 3 kW, 4 kW; IE5 in preparation)

## Materials

Wetted components	Chrome nickel molybdenum steel DIN 1.4404 / 1.4409 (AISI 316 L / CF3M) electropolished
-------------------	--

Technical data	50 Hz	60 Hz
Flow rate	Up to 340 m <sup>3</sup> /h	Up to 320 m <sup>3</sup> /h
Head	Up to 100 m	Up to 112 m
Operating pressure	Up to 12 bar	
Fluid temperature	Up to 110 °C (SIP up to 140°C) Higher temperatures on request	



KSB SE & Co. KGaA  
Johann-Klein-Straße 9  
67227 Frankenthal (Germany)  
[www.ksb.com](http://www.ksb.com)