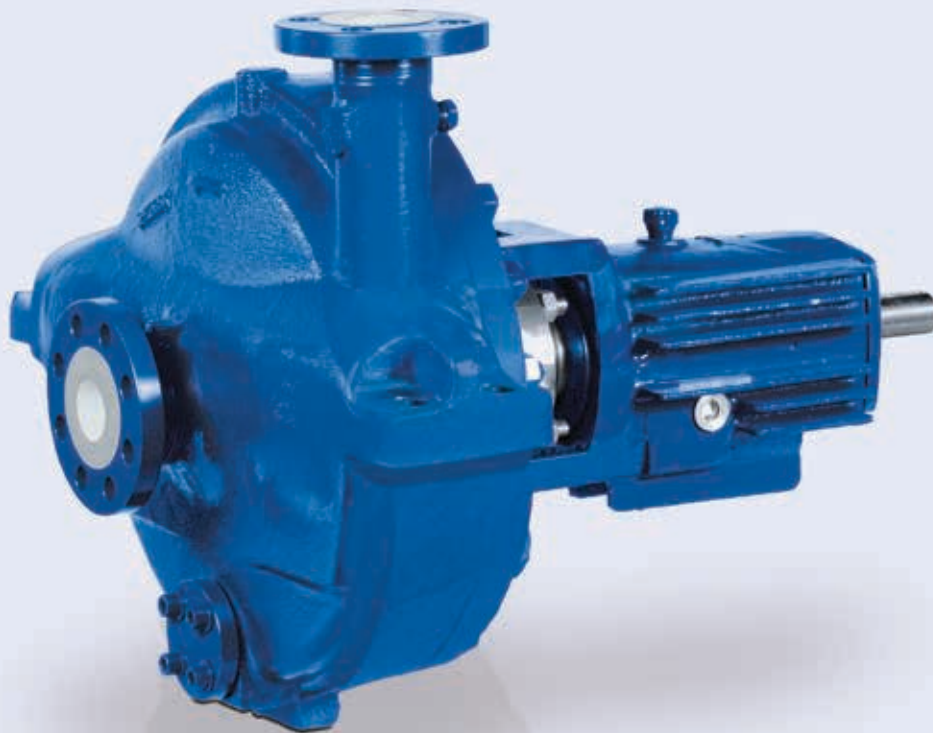


► Our technology. Your success.

Pumps • Valves • Service



## RPH-RO – Booster Pump for Desalination Plants

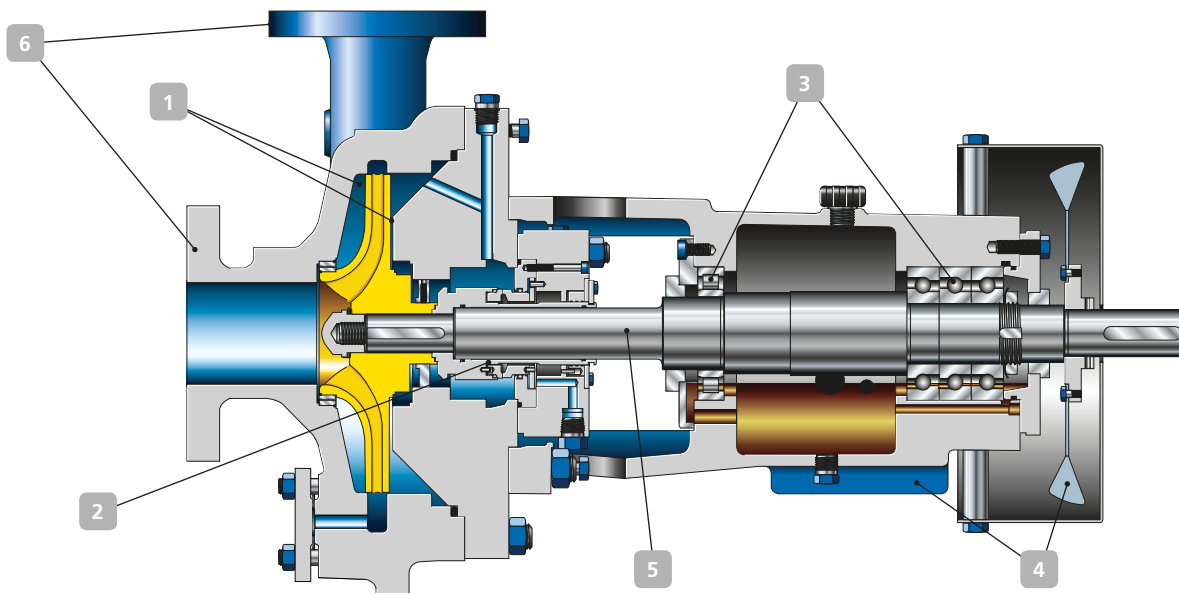


### Applications:

- Seawater desalination by reverse osmosis

More information: [www.ksb.com/products](http://www.ksb.com/products)

# RPH-RO – Booster Pump for Desalination Plants



## 1 Low maintenance costs

- The selection of a balancing system for the specific duty point markedly reduces axial forces.
- The double volute (DN 80 and above) reduces radial thrust and prevents shaft deflection, considerably reducing the loads on bearings and mechanical seal.

## 2 Long service life of the mechanical seal

The specially designed KSB mechanical seal type “4RPS” is implemented as standard.

Use of a hooked shaft protecting sleeve reduces the load on the seal and, in combination with high quality materials, ensures excellent reliability.

## 3 Long service life and high reliability of bearings

The bearings in tandem design cope well with high inlet pressures.

## 4 No cooling water circuit required

When fluid temperature and ambient temperature are high, the steel bearing bracket with integrated cooling fins and the optional fan impeller protect the unit from overheating.

## 5 Ease of maintenance

Single mechanical seal in cartridge design for easy installation and removal.

## 6 High flexibility

The pump flanges are available for all common pipelines because they are built to all standards up to PN 100 (ASME Class 600).

## Reduced operating costs

No barrier fluid required, therefore considerably reduced operating costs.

### Materials

Super-Duplex A890 Grade 5A

### Technical data of the standard configuration

Pump size (Discharge nozzle)	DN 100 – 350 / 4 – 14 inch
Flow rate	Up to 2500 m <sup>3</sup> /h / 11008 gpm
Head	Up to 150 m / 492 ft
Operating pressure	Up to 80 bar / 1160 psi
Fluid temperature	0 °C to +40 °C / +32 °F to +104 °F
Speed	Up to 3500 rpm



KSB SE & Co. KGaA  
Johann-Klein-Straße 9  
67227 Frankenthal (Germany)  
www.ksb.com