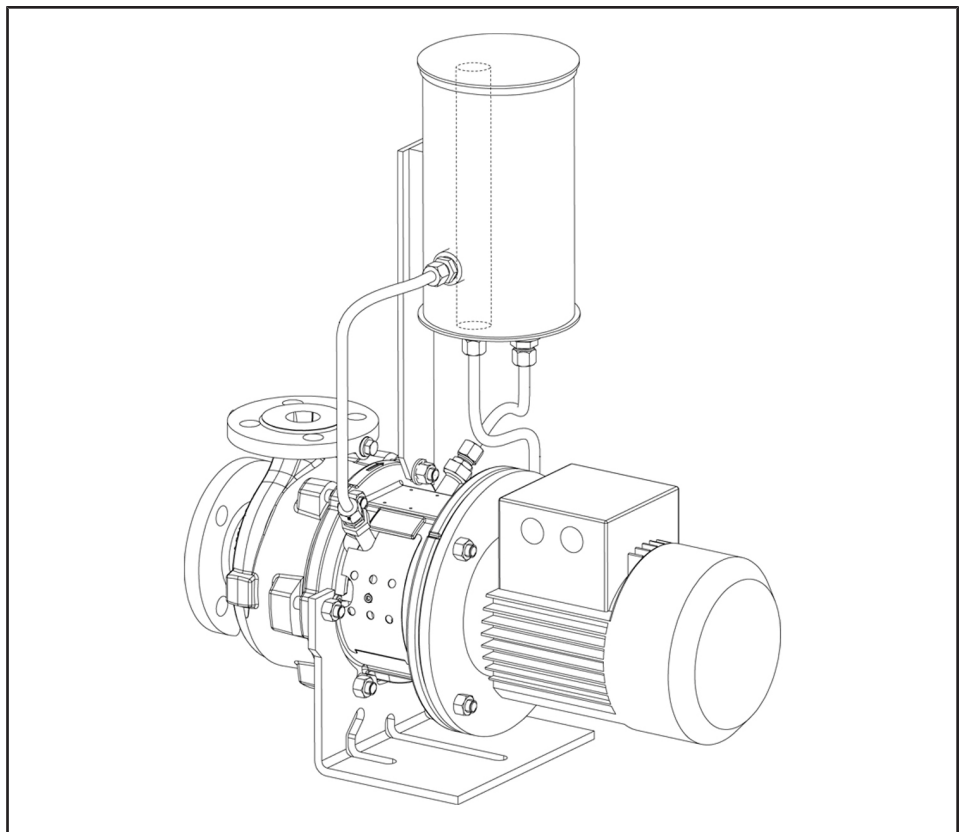


Supply System for Double Mechanical  
Seals

# QS-kompakt Quench System

## Supplementary Operating Manual



## **Legal information/Copyright**

Supplementary Operating Manual QS-kompakt Quench System

Original operating manual

All rights reserved. The contents provided herein must neither be distributed, copied, reproduced, edited or processed for any other purpose, nor otherwise transmitted, published or made available to a third party without the manufacturer's express written consent.

Subject to technical modification without prior notice.

## Contents

<b>1</b>	<b>Supplementary Operating Manual .....</b>	<b>4</b>
1.1	General.....	4
1.2	Application.....	4
1.3	Technical data.....	4
1.4	Supply options .....	4
1.5	Commissioning/Starting up the supply system .....	5
1.6	Supervision of operation.....	5
1.7	Supply system connections.....	5
1.8	General assembly drawings .....	7
1.8.1	Quench system, QS-kompakt .....	7

## 1 Supplementary Operating Manual

### 1.1 General

This supplementary operating manual accompanies the installation/operating manual. All information contained in the installation/operating manual must be observed.

**Table 1:** Relevant operating manuals

Type series	Reference number of the installation/operating manual
Etabloc	1173.8
Etaprime B	2753.82
Vitachrom	1966.8

### 1.2 Application

Double mechanical seals always require a supply system.

- Double mechanical seal in tandem arrangement: flushing system or quench system
- Double mechanical seal in back-to-back arrangement: barrier fluid system

This supply system is intended for use with horizontally installed pumps only.

### 1.3 Technical data

**Table 2:** Application range

Characteristic	Value
Operating temperature	5 °C to 60 °C
Operating pressure	1 bar (atmospheric pressure)
Quench liquid	Water, white oil

**Table 3:** Material

Component	Material
Quench reservoir	Plastic
Pipe union	1.4571
	1.4404
Piping	1.4404
	1.4571
Bracket	St 37, painted
Fastening bolts/screws, discs, nuts	Galvanised steel

### 1.4 Supply options

The following supply option is available:

- Fully assembled with bracket

### 1.5 Commissioning/Starting up the supply system

- ✓ The installation/operating manual of the pump set is to hand.
  - ✓ Quench liquid<sup>1)</sup> is available in sufficient quantity.
1. Fill the quench reservoir, connected piping and mechanical seal chamber of the pump with the selected quench liquid.
    - ⇒ Fill the quench reservoir to at least 3/4 of its capacity. The sight glass should be more than fully covered.
  2. Vent the supply system.
    - ⇒ Ensure that the venting process has removed all air bubbles. If necessary, repeat filling and venting several times until the presence of air bubbles can be completely ruled out.
  3. Commission/Start up the pump set in accordance with the installation/operating manual.
  4. After a few hours of pump set operation, confirm that the fill level in the quench liquid reservoir is correct and check venting.

### 1.6 Supervision of operation

While the pump is in operation, observe and/or check the following:

- Regularly check the mechanical seal supply.
- Regularly check and replace the quench liquid if necessary.

### 1.7 Supply system connections

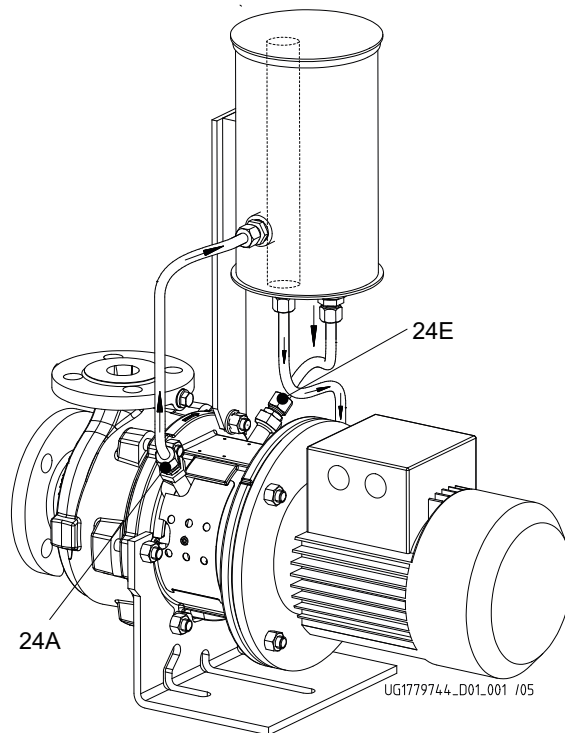


Fig. 1: Pump set connections

Table 4: Pump set connections

Connection	Description	Thread
24A	Quench liquid outlet	G1/4
24E	Quench liquid inlet	G1/4

1311.804/01-EN

<sup>1</sup> Water, 5 °C to 35 °C

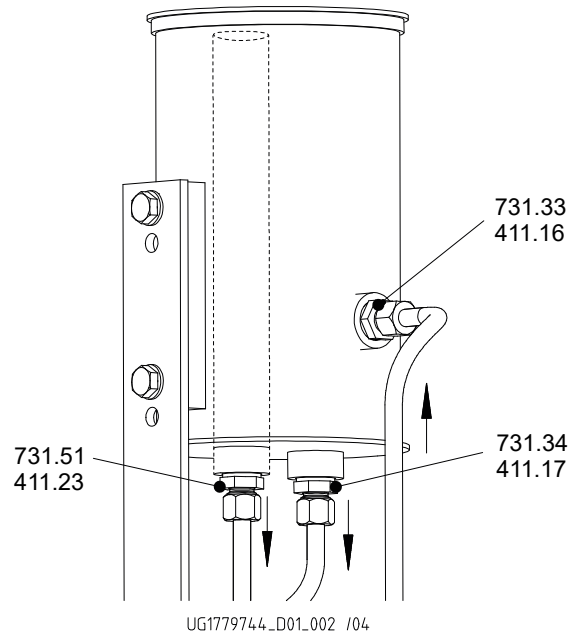


Fig. 2: Quench reservoir connections

Table 5: Quench reservoir connections

Connection	Description	Thread
731.33 / 411.16	Quench liquid inlet	G3/8
731.34 / 411.17	Quench liquid outlet	G3/8
731.51 / 411.23	Overflow line	G3/8

### 1.8 General assembly drawings

#### 1.8.1 Quench system, QS-kompakt

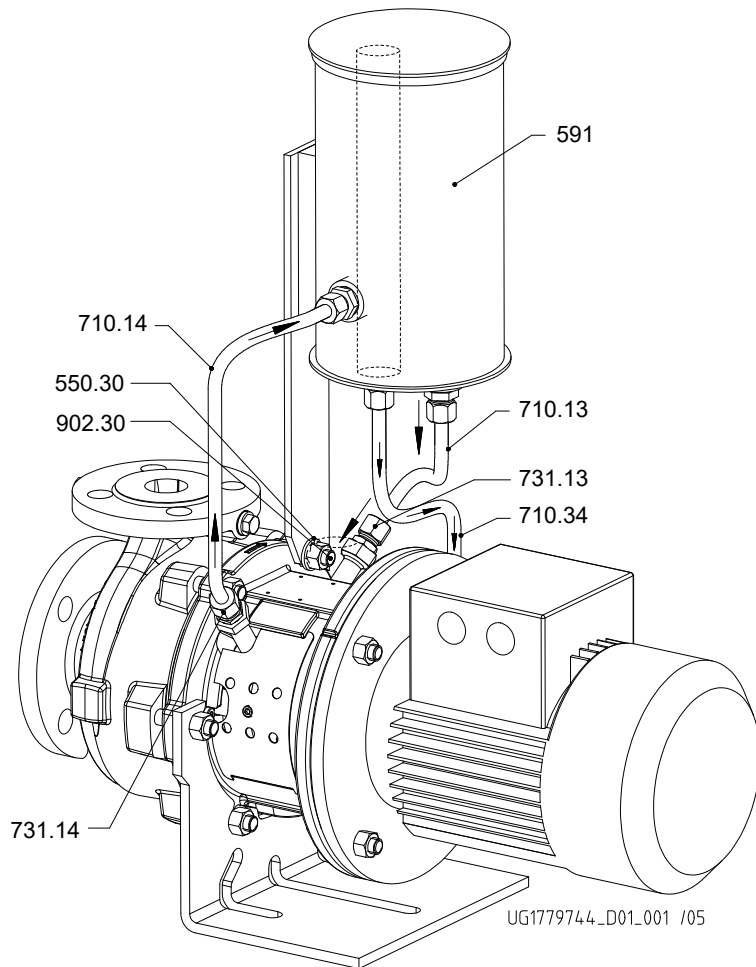


Fig. 3: General assembly drawing

Table 6: List of components

Part No.	Description	Part No.	Description
550.30	Disc	731.13/.14	Pipe union
591	Reservoir	902.30	Stud
710.13/.14/.34	Pipe		









**KSB SE & Co. KGaA**

Johann-Klein-Straße 9 • 67227 Frankenthal (Germany)

Tel. +49 6233 86-0

[www.ksb.com](http://www.ksb.com)