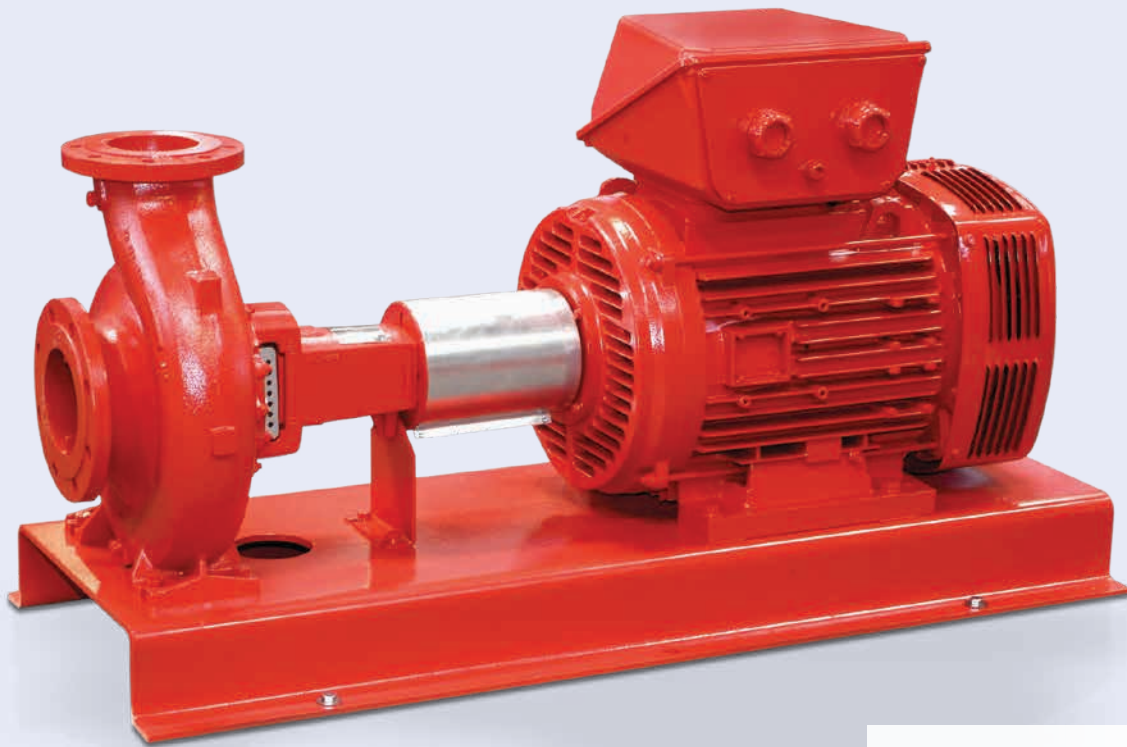


► Our technology. Your success.

Pumps • Valves • Service



Etanorm FX – Single-stage Volute Casing Pumps



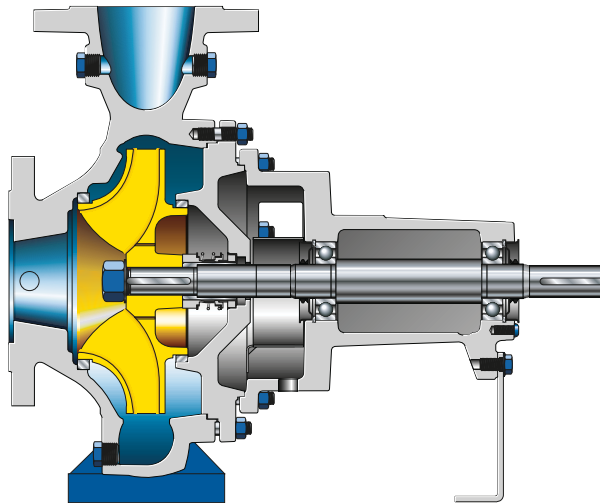
Applications:

- Fire-fighting systems

More information: www.ksb.com

Your contact:

Etanorm FX – Single-stage Volute Casing Pumps for Fire-fighting Systems



High energy efficiency

Optimised and tested hydraulic system of high efficiency. As a standard, the impellers are trimmed to match the duty point.

Operating reliability

- Good suction performance for low vibration levels and very smooth running.
- Wetted parts are free from primers and thus generally recognised as safe for handling drinking water.

Diversity of variants

Comprehensive selection chart further extended by additional pump sizes for small flow rates.

Versatile

- Great choice of materials for many applications available as a standard.
- Drilled holes for temperature and vibration measurement available as an option.
- Wide choice of seals for demanding fluids.
- Available in a wide choice of materials for a large variety of fluids.

Service-friendly

- Fast delivery of new pumps and spare parts.
- Easier to assemble and dismantle thanks to the larger seal chamber and forcing screws between the casing cover and bearing bracket.
- The compact and robust design of the single cartridge mechanical seal makes for easy and economical installation.

Reliability is ensured by state-of-the-art technology and the high quality standard of our products.

KSB's product portfolio includes a wide range of pumps in compliance with applicable national standards for fire-fighting applications.

- SETSCO
- NFPA 20
- FM / UL
- VdS
- APSAD/CNPP
- BMOKE
- ZUS/Pavus
- CNBOP

Technical data

Flow rate	Up to 640 m ³ /h
Discharge head	Up to 160 m
Operating pressure	Up to 16 bar



KSB SE & Co. KGaA
 Johann-Klein-Straße 9
 67227 Frankenthal (Germany)
www.ksb.com