

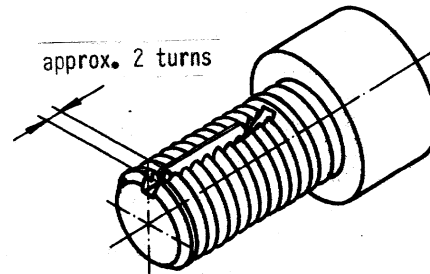


Hot Water Circulating Pumps HPH

Securing the Stuffing Box Housing

1. General

Self-securing socket head cap screws (914.13) are used to secure the stuffing box housing (451.01). These screws consist of a socket head screw to DIN 912/6912 and a spiral pin to DIN 7343 (see table).

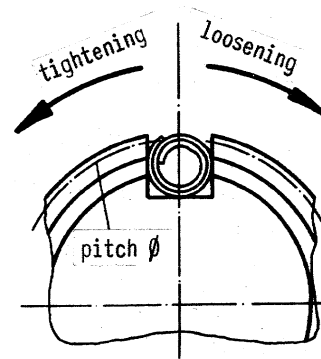


2. Application

The spiral pin allows the screws to be inserted by hand two turns into the female thread, then tightened up to the specified torque setting (see table).

The screw itself is re-usable.

The locking effect will be impaired unless a new spiral pin is fitted each time the screw is inserted. Where this does happen, there is a risk the screws will gradually work loose and foul the impeller back shroud, particularly with intermittent operation.



The location of the pin only makes the screw slightly more difficult to screw in. When the screw is being undone, the edge comes up against the thread, thereby preventing the screw working loose of its own accord.

3. Function

The axial slot in the threaded section accommodates the spiral pin which, by its deforming and elastic action, prevents the screw coming undone.

4. Fitting a New Pin

The pin will only have a locking action if it is inserted in the groove so that the start of the spiral is on the left side of the groove and level with the pitch diameter (see Fig.).

5. Screw Sizes and Torque Settings

Pump size	Bearing bracket	Socket head screw to ZN 767		Spiral pin to DIN 7343 material: 1.4301	Torque setting (Nm)
		Qty.	Part no. 914.13		
50-200	P 02 as	8	BM 12 x 20	Ø 1,5 x 10	60
80-200	P 03 s	8	AM 12 x 20	Ø 1,5 x 10	60
100-200	P 03 as				
40-250					
80-250					
100-250	P 04 s	8	AM 16 x 30	Ø 3,0 x 16	145
150-250	P 04 as				
80-315					
100-315					
50-400					
150-315	P 05 s	12	AM 16 x 35	Ø 3,0 x 16	145
	P 05 as				
200-315	P 06 s	12	AM 16 x 35	Ø 3,0 x 16	145
200-401	P 06 as				
200-501					
250-401					
250-501					

