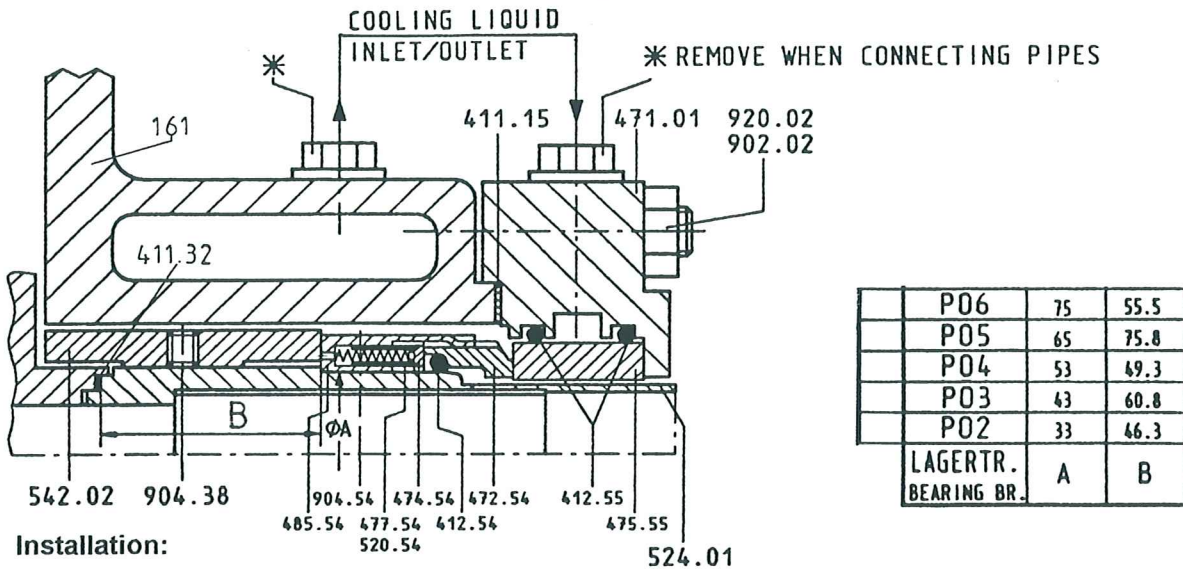


## Dismantling and installation instructions for single-acting mechanical seals Type: Burgmann H75G115

### Dismantling:

Undo the hex nuts 920.02 und push the seal cover 471.01 back to the thrower 507.01. Remove casing cover 161.  
Take the complete rotating assembly of the mechanical seal with bush 542.02, shaft protecting sleeve 524.01 and gasket 411.32 off the shaft.  
Undo the threaded pins 904.54 and push the rotating assembly of the mechanical seal off the shaft protecting sleeve 524.01.  
If necessary, undo the threaded pins 904.38 and pull the bush 542.02 off the shaft protecting sleeve 524.01.  
Take the seal cover 471.01 with gasket 411.15 and the thrower 507.01 off the shaft.  
Remove the stationary seal ring 475.55 and the O-rings 412.55 from the seal cover 471.01.



### Installation:

The mechanical seal should preferably be fitted with the shaft in vertical position. Pay attention to the following points:

Absolute cleanliness and utmost care are essential when fitting mechanical seals. Do not remove the protective cover from the seal faces until immediately before installation. The surface of the shaft protecting sleeve 524.01 must be perfectly clean and smooth, the leading edge must be chamfered.

Make sure that the surface of the shaft protecting sleeve cannot be damaged when the rotating assembly is pushed onto the shaft protecting sleeve. The rotating assembly must not be turned when pushed onto the shaft protecting sleeve.

Check the close sliding fit of the shaft protecting sleeve 524.01 on the shaft 210. Push the rotating assembly of the mechanical seal onto the shaft protecting sleeve 524.01 as far as it will go and lock it.

### NOTE:

Check control dimension "B" against the sectional drawing of the mechanical seal. The required control dimension must be achieved after the rotating assembly has been pushed onto the shaft protecting sleeve 524.01 as far as it will go. If the bush 542.02 has been dismantled, push it against the mechanical seal and fix with threadet pin 904.38. Pre-assemble the seal cover 471.01 with the gasket 411.15, stationary seal ring 475.55 and the O-rings 412.55.

### NOTE:

After inserting the stationary seal ring, check whether it is plane-parallel with the seal cover (max. admissible deviation 0.02mm). Push the seal cover onto the shaft, so that the connection holes are in the upper half. Then push the shaft protecting sleeve with the mouted rotating assembly and the gasket 411.32 onto the shaft. Push the casing cover 161 carefully over the mechanical seal and mount the assembly in the bearing bracket lantern 344. Connect the casing cover 161 with the seal cover 471.01 by means of the studs 902.02 and nuts 920.02.