

# Oil Level Gauge

CPKN, CPKN-CHS, CPKNO

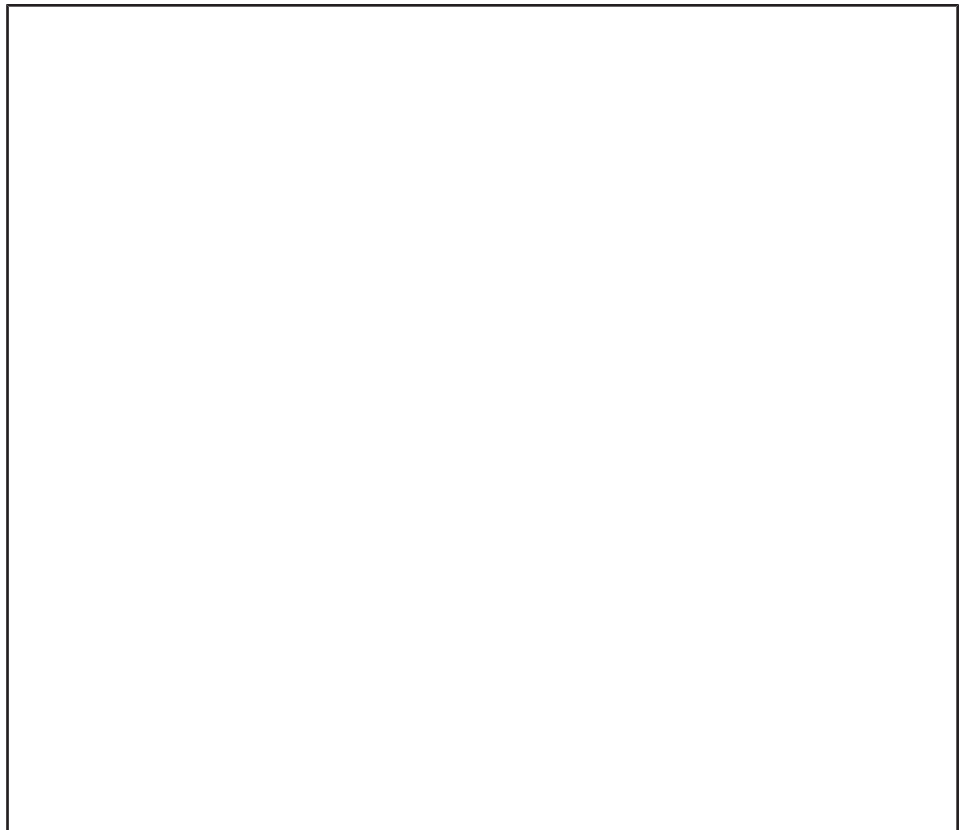
HPH

HPK

KWP

MegaCPK

## Supplementary Operating Manual



## **Legal information/Copyright**

Supplementary Operating Manual Oil Level Gauge

Original operating manual

All rights reserved. The contents provided herein must neither be distributed, copied, reproduced, edited or processed for any other purpose, nor otherwise transmitted, published or made available to a third party without the manufacturer's express written consent.

Subject to technical modification without prior notice.

© KSB SE & Co. KGaA, Frankenthal 25/01/2018

## Contents

<b>1</b>	<b>Supplementary Operating Manual .....</b>	<b>4</b>
1.1	General.....	4
1.2	Description of oil level gauge.....	4
1.3	Fitting the oil level gauge.....	5
1.4	Filling the bearing bracket with oil.....	5
1.5	Supervision of operation.....	5
1.6	Draining the bearing bracket. ....	6

## 1 Supplementary Operating Manual

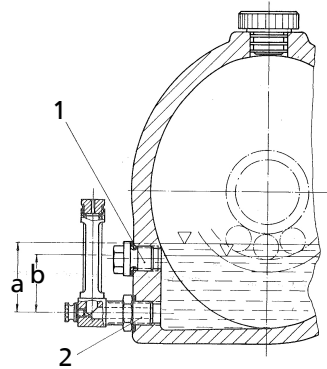
### 1.1 General

This supplementary operating manual accompanies the installation/operating manual. All information contained in the installation/operating manual must be observed.

**Table 1:** Relevant operating manuals

Type series	Reference number of the installation/operating manual
CPKN CPKN-CHs CPKNO	2730.8, 2713.813, 2730.89 2730.84 2730.88
HPH	1122.8110
HPK	1121.8, 1121.817
KWP	2361.8, 2361.81
MegaCPK	2731.8

### 1.2 Description of oil level gauge



**Fig. 1:** Fitted oil level gauge

1	Connection for 638	2	Connection 13B
a	$h_{\min}$	b	$h_{\max}$



#### NOTE

On bearing brackets P02, P02s, U02s, P02a, P02as, U02as, UP02as and P02ax, connection 13B (2) is located opposite the connection for 638 (1) on the other side of the bearing bracket.

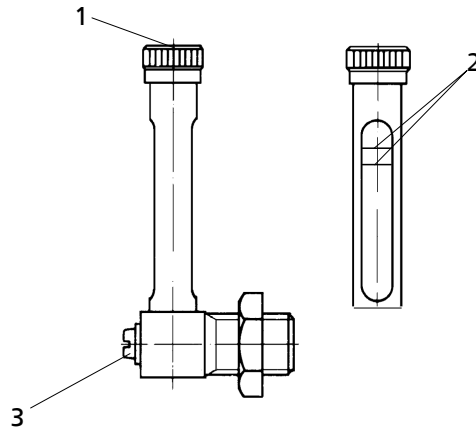


Fig. 2: Oil level gauge

1	Knurled screw with vent hole	2	Oil level marks
3	Screw plug		

### 1.3 Fitting the oil level gauge

1. Remove plug 916.49 from the lower of the two connection openings provided on the bearing bracket.
2. **Models with bearing brackets P06 as/ask or UP06 only:** screw adapter 721 (G1/4 to G1/2) into the connection opening.
3. **Models with cooled bearing bracket with NPT thread only:** seal the oil level gauge thread with Teflon tape.
4. Screw oil level gauge 639 with joint ring 411.46 into the connection opening.

### 1.4 Filling the bearing bracket with oil



1. Clean the vent hole in the knurled screw on the sight tube of the oil level gauge. The vent hole in the knurled screw must never be clogged by dirt deposits.
2. Remove vent plug 672 from the bearing bracket.
3. Fill the bearing bracket with oil.  
The preferred in-service oil level should be roughly 1 mm below the maximum line. Excess oil can be drained by opening the screw plug in the square of the oil level gauge stud end.
4. Close the bearing bracket with vent plug 672.

### 1.5 Supervision of operation

While the product is in operation, observe or check the following:

- Oil level in the bearing bracket  
The permissible maximum and minimum oil levels are marked on the sight glass of the oil level gauge. The oil levels indicated must always be complied with.
- Vent hole in the knurled screw of the sight tube  
The vent hole must never be clogged by dirt deposits.

**1.6 Draining the bearing bracket.**

	 <b>WARNING</b>
	<p><b>Lubricants posing a health hazard and/or hot lubricants</b> Hazard to persons and the environment!</p> <ul style="list-style-type: none"><li>▷ When draining the lubricant take appropriate measures to protect persons and the environment.</li><li>▷ Wear safety clothing and a protective mask, if required.</li><li>▷ Collect and dispose of any lubricants.</li><li>▷ Observe all legal regulations on the disposal of fluids posing a health hazard.</li></ul>

1. Unscrew the constant level oiler and drain the oil.





**KSB SE & Co. KGaA**

Johann-Klein-Straße 9 • 67227 Frankenthal (Germany)

Tel. +49 6233 86-0

[www.ksb.com](http://www.ksb.com)