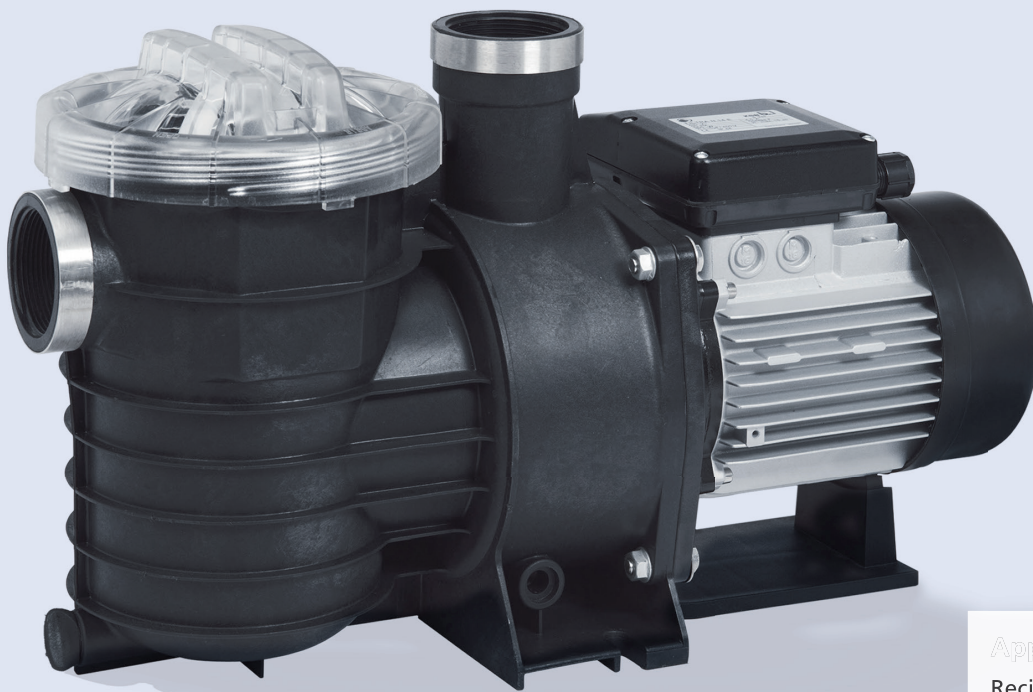


Filtra N – Single-stage, Self-priming Centrifugal Pump



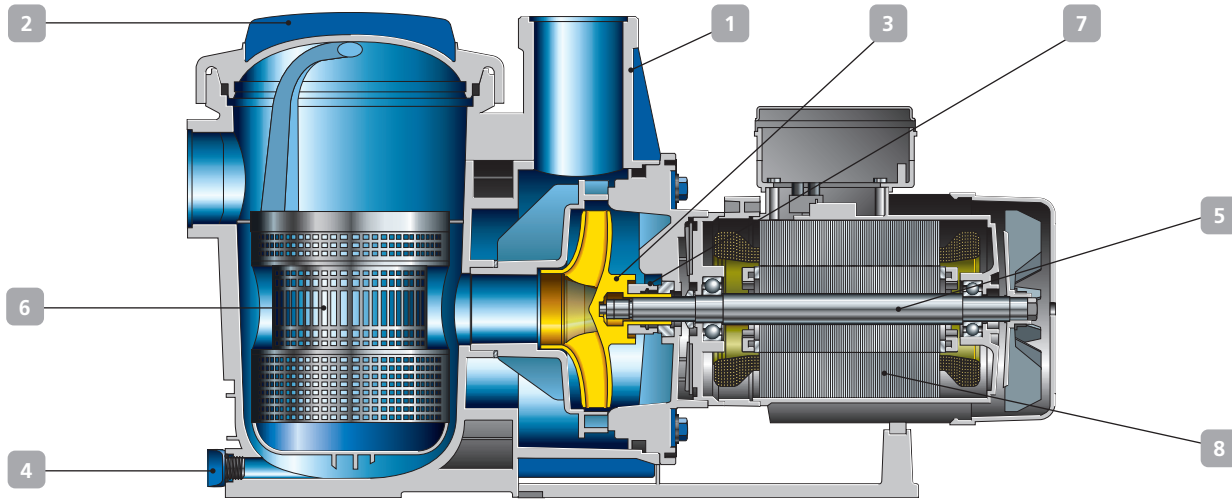
Applications:

Recirculation of swimming pool water in filtering systems

More information:

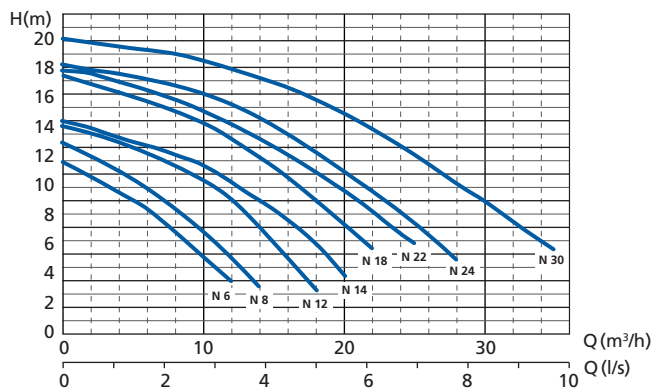
www.ksb.com/products

Filtra N – Single-stage, Self-priming Centrifugal Pump in Close-coupled Design



- 1 Corrosion-resistant**
Single-piece pump casing made of impact-resistant plastic material
- 2 Contamination level easy to detect**
Transparent screw-on lid with mechanical stop
- 3 Shaft protected against corrosion**
The impeller completely encases the shaft end.
- 4 Fast drainage if there is a risk of freezing**
Two screw plugs for drainage
- 5 Resistant to aggressive water**
Shaft made of stainless steel
- 6 Easy to clean**
Large volume, low-clogging filter basket, can be hinged open
- 7 Maintenance-free and reliable**
Shaft sealed by mechanical seal
- 8 Low-noise operation**
Single-phase a.c. motor with integrated overload protection, or three-phase motor
- Energy-efficient**
with excellent IE2 efficiency
- Compact and service-friendly**
Self-priming close-coupled pump

Filtra N characteristic curves



Technical data

Flow rate	Up to 36 m ³ /h (10 l/s)
Head	Up to 21 m
Pump discharge pressure	Up to 2.5 bar
Fluid temperature	Up to +35 °C



KSB SE & Co. KGaA
Johann-Klein-Straße 9
67227 Frankenthal (Germany)
www.ksb.com